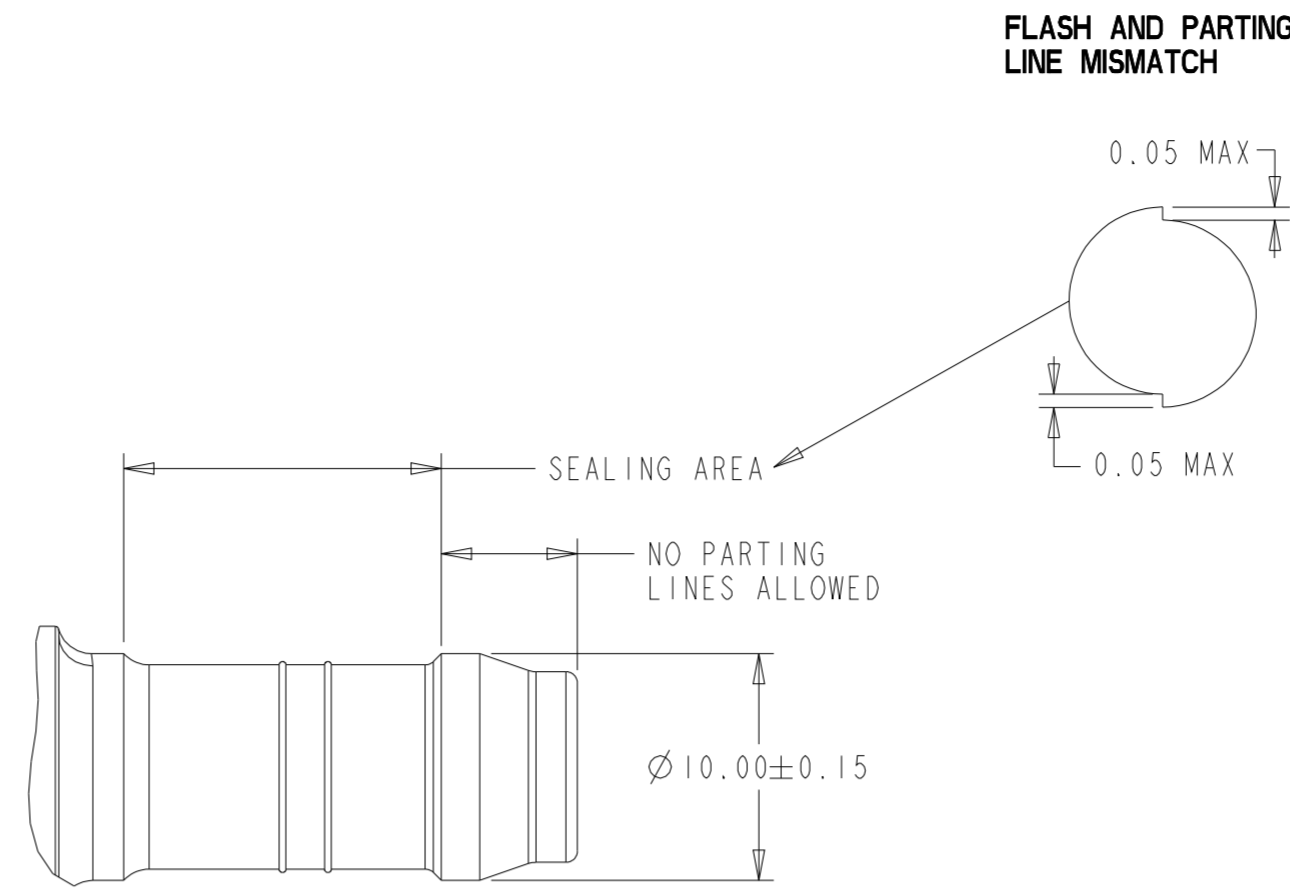
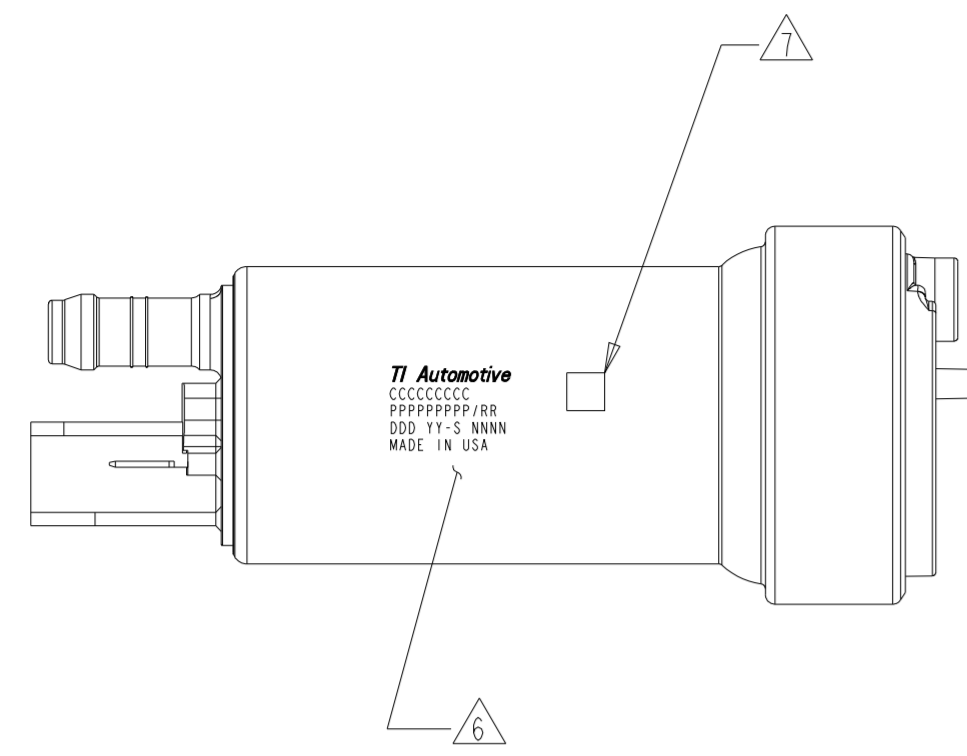
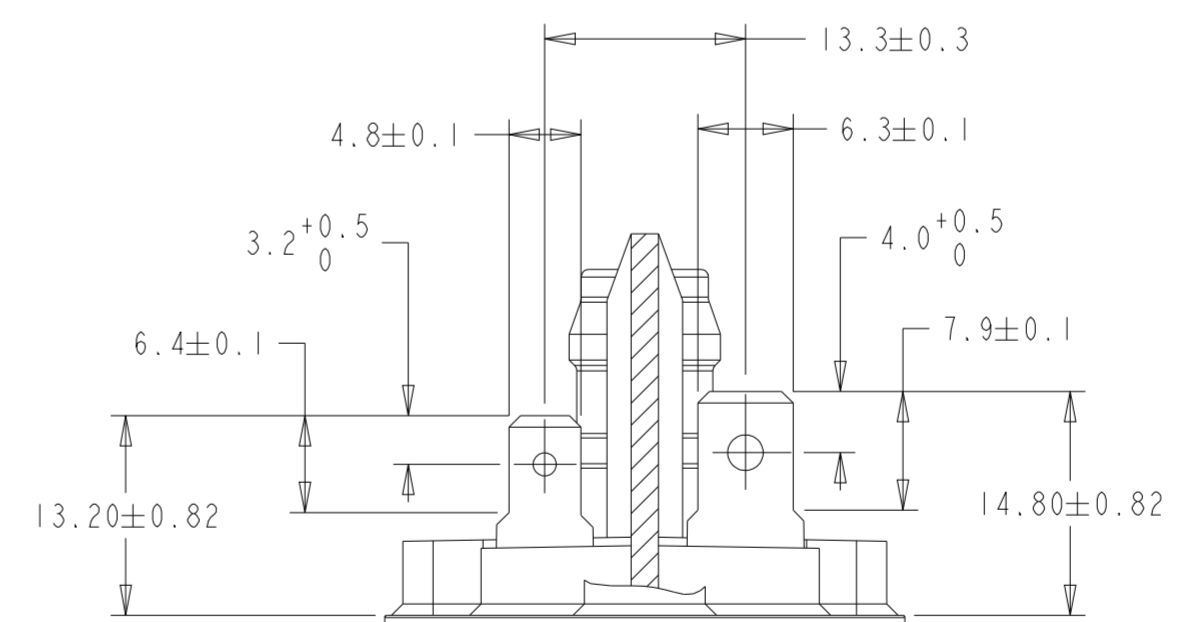
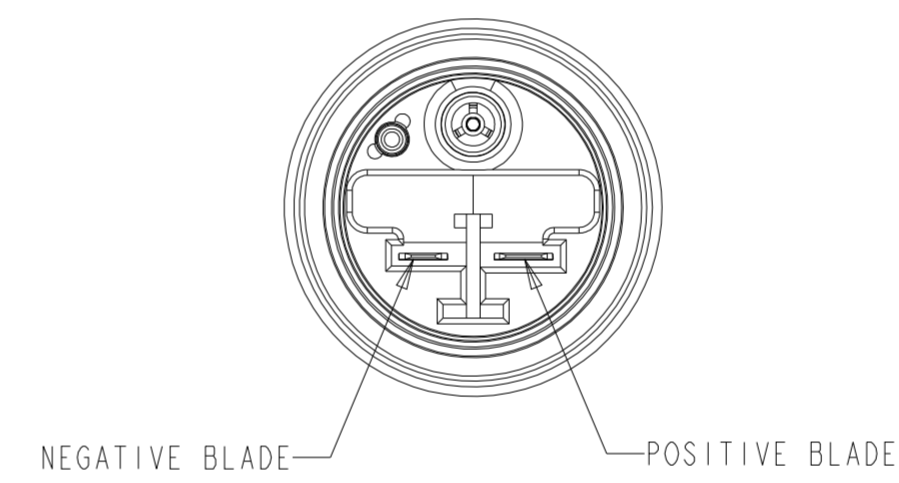
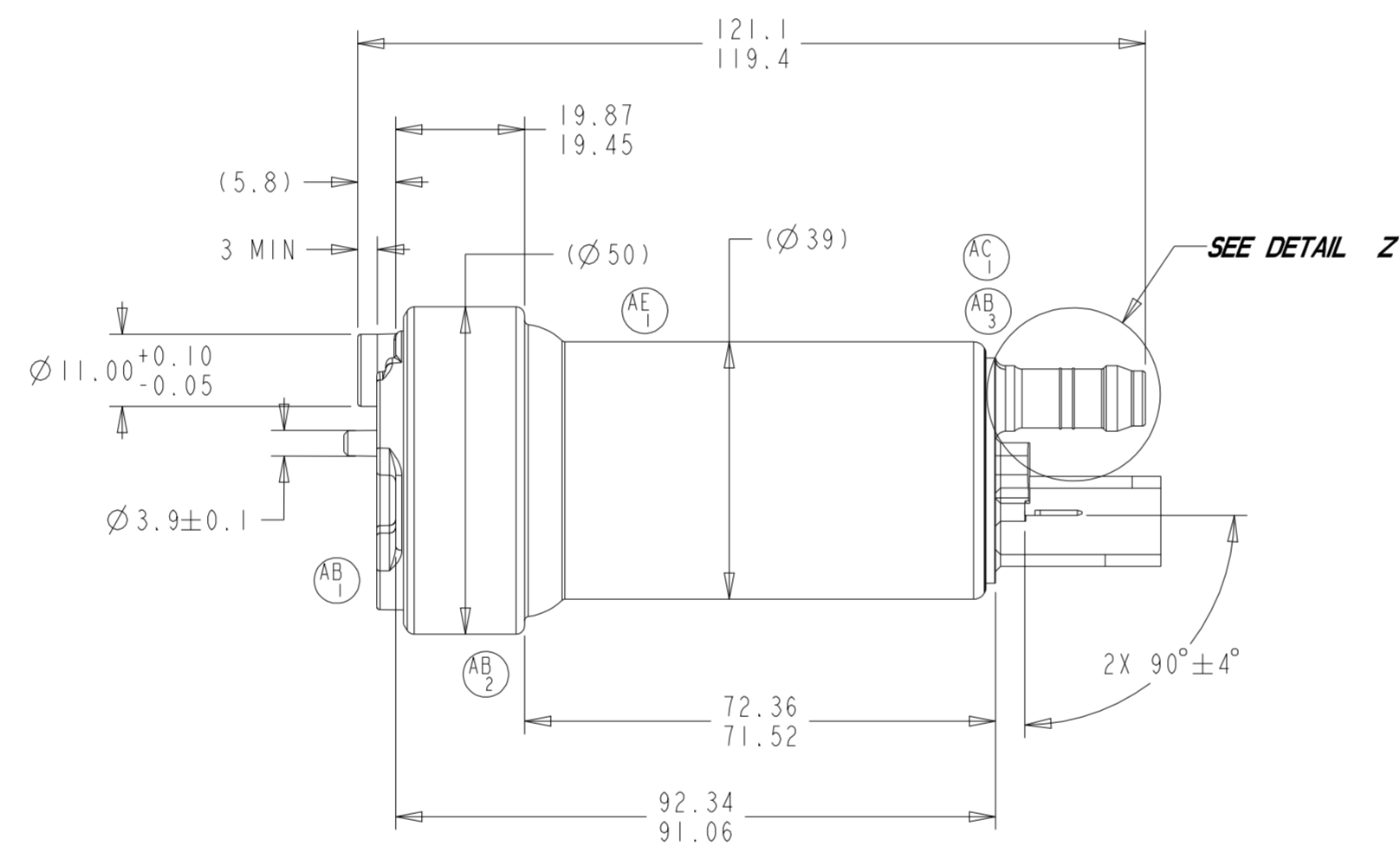
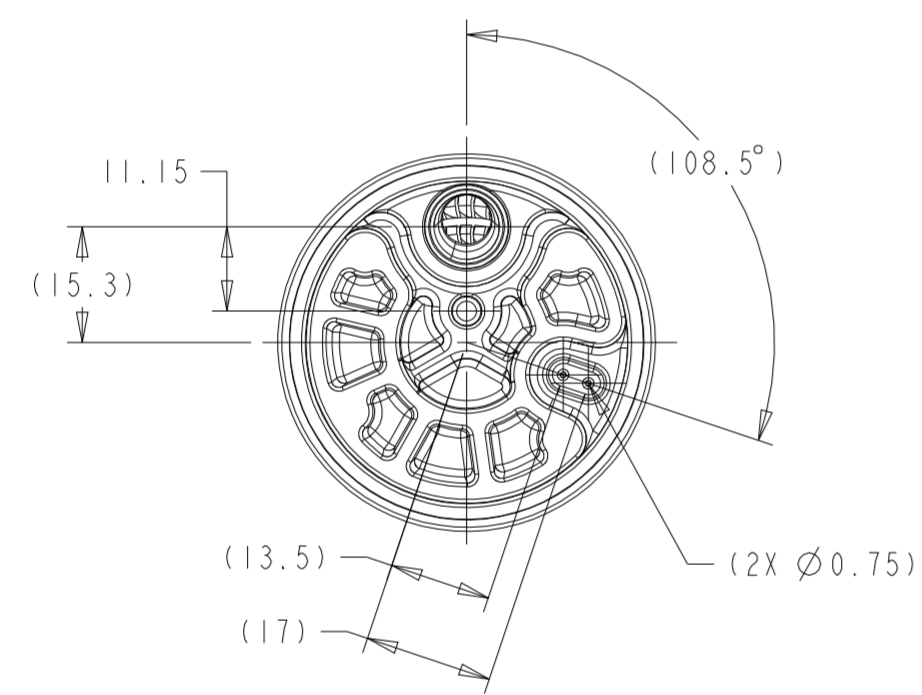


| REVISIONS | | | | | | |
|-----------|-----|--|-------------------|---------|-----|--------|
| ZONE | LTR | DESCRIPTION | CHANGE No | DATE | BY | APPR'D |
| 8-D | AA | INITIAL RELEASE | DR67120 | 09FEB18 | RMB | BLM |
| 8-D | AB | AB1 0213780 INLET COVER WAS 0213643 | DR74833 C10023 | 15APR19 | SLK | BJG |
| 7-E | AB3 | AB2 0250604 UPPER CAP WAS 0250549 | | | | |
| 7-E | AC | AC1 1760594 CHECK VALVE WAS 000106742 | 82490 | 14JUN21 | SLK | TLH |
| --- | AD | AD1 ADDED REF TO NEW ERP # | 82580 | 10AUG21 | SLK | TLH |
| 8-E | AE | AE1 DBTC0031 MAGNETS WERE 184-31 | 83636 | 07MAR23 | JTK | MLM |



DETAIL Z
SCALE 3:1



SCALE 2:1

| PUMP PERFORMANCE | | | | | | |
|--------------------------------------|---------|----------|-----------|---------------|-----------|-------------|
| (TEST FLUID: MINERAL SPIRITS 142-66) | | | | | | |
| | VOLTAGE | PRESSURE | | MIN FLOW RATE | | MAX CURRENT |
| | VDC | kPa | PSI (REF) | LPH | GPH (REF) | AMPS |
| RUNNING | | | | | | |
| RUNNING | 13.5 | 345 | 50 | 260 | 68.6 | 14.5 |
| SHUT OFF | 12.0 | 750-1100 | 108-159 | 0 | 0 | 18 |

NOTES:

- PUMP WILL BE PACKAGED TO PREVENT CONTAMINATION BY FOREIGN MATERIAL
- TERMINAL BLADES DESIGNED TO SAE J858 TYPE 1B, WITH AN EXCEPTION TO DIM G (THICKNESS IS 0.81 NOT 0.50) FOR THE NEGATIVE TERMINAL
- MODEL DCSS 39/50, NON-FFV PUMP
- PUMP TO BE EVACUATED OF TEST FLUID PRIOR TO INSTALLATION OF SHIPPING CAPS
- MINIMUM RECOMMENDED WIRE GAGE: 12

6 LASER ETCH INFO:
 TI AUTOMOTIVE
 CCCCCCCC = CUSTOMER PART NUMBER (IF REQUIRED)
 PPPPPPPP = TI AUTOMOTIVE PART NUMBER, RR = TI AUTOMOTIVE PART REV
 DDD = JULIAN DATE, YY = YEAR, S = SHIFT, NNNN = SERIAL NUMBER
 MADE IN USA

DATA MATRIX CODE = PART NUMBER, JULIAN DATE-SHIFT-SERIAL NUMBER
 (EX: 000119989X16418-1-0123)

KEY PRODUCT CHARACTERISTICS

REFER TO TI AUTOMOTIVE GLOBAL ADVANCED QUALITY PLANNING DOCUMENT CW-4-ALL-411 FOR THE CLASSIFICATION AND CONTROL OF KEY PRODUCT CHARACTERISTICS

| TYPE OF CHARACTERISTIC | SAFETY | REGULATORY | FUNCTION | FUNCTION PROCESS |
|---------------------------------|--------|------------|----------|------------------|
| NUMBER PER EACH CHARACTERISTIC | 0 | 0 | 0 | 0 |
| TOTAL NUMBER OF CHARACTERISTICS | 0 | 0 | 0 | 0 |

THIS DRAWING IS PROPERTY OF TI AUTOMOTIVE. TI AUTOMOTIVE CLAIMS PROPRIETARY RIGHTS IN THE SUBJECT MATTER SHOWN AND DESCRIBED ON THIS DRAWING AND RETAINS ALL INTELLECTUAL PROPERTY RIGHTS. THE DRAWING IS PROVIDED FOR REFERENCE PURPOSES ONLY AND ON THE EXPRESS CONDITION THAT IT WILL BE HELD IN CONFIDENCE. THIS DRAWING SHALL NOT BE DISCLOSED OR REPRODUCED IN ANY MANNER WITHOUT THE WRITTEN CONSENT OF TI AUTOMOTIVE. NO LICENSE OR OTHER RIGHT IS GIVEN OR IMPLIED BY THE PROVISION OF THIS DRAWING TO RECIPIENT.
 COPYRIGHT, TI AUTOMOTIVE 2018, ALL RIGHTS RESERVED.

METRIC
 ALL DIMENSIONS ARE IN MILLIMETERS

DO NOT SCALE
 DECIMAL TOLERANCES UNLESS OTHERWISE SPECIFIED
 ONE PLACE ±0.25 TWO PLACE ±0.13 ANGLES ±1°

THIRD ANGLE PROJECTION
 DIMENSIONS IN ACCORDANCE WITH ASME Y14.5 - 2009

TI Automotive
 630 COLUMBIA ST.
 CARO, MI 48723
 +1 989.673.7727

| | | | |
|------------------------------------|-----------------------|------------------------|-------------------------|
| ENGINEER: | B.MIDDLETON | 08-FEB-2018 | MATERIAL/SPECIFICATION: |
| DESIGNER: | R.BRUBAKER | 08-FEB-2018 | |
| CAD SYSTEM: | PRO/E | SCALE: 1:1 | SHEET NO. 1 OF 1 |
| REFERENCE TO/REV.: | F90000288, HJPB9288AE | 3D PLM REFERENCE/REV.: | AR0047774/AE |
| REFERENCE TO/REV.: | 000119989/AE | 3D PLM REFERENCE/REV.: | AR0047772/AD |
| DRAWING NAME: FUEL PUMP OUTLINE | | | |
| SIZE: | A1 | DRAWING NUMBER: | 000119989 |