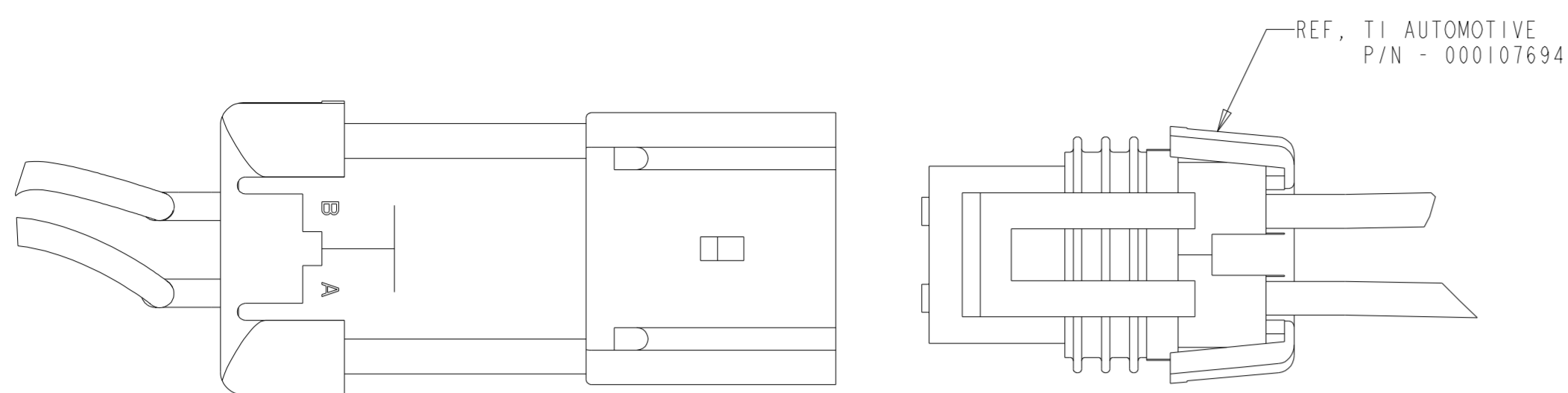
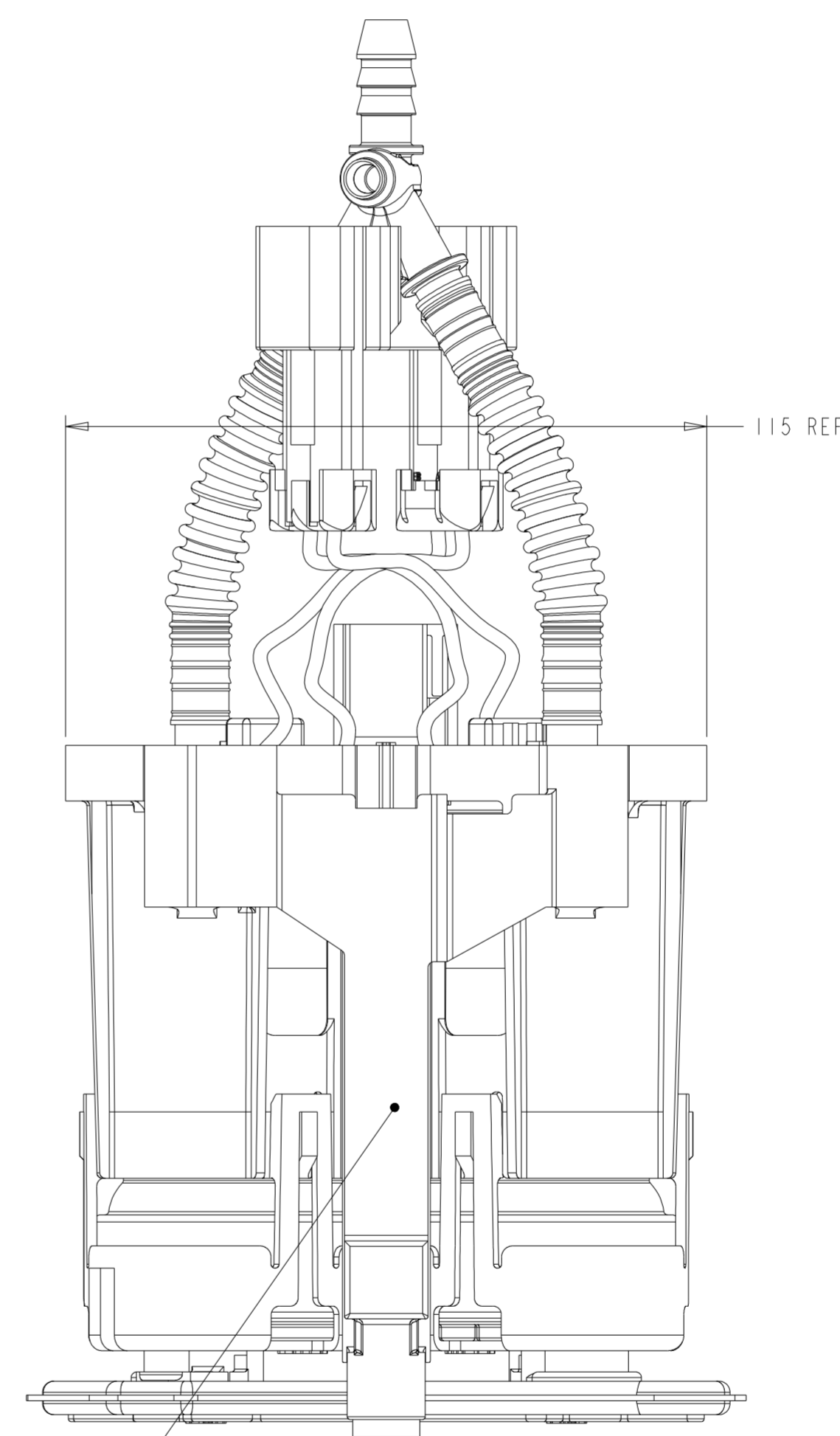
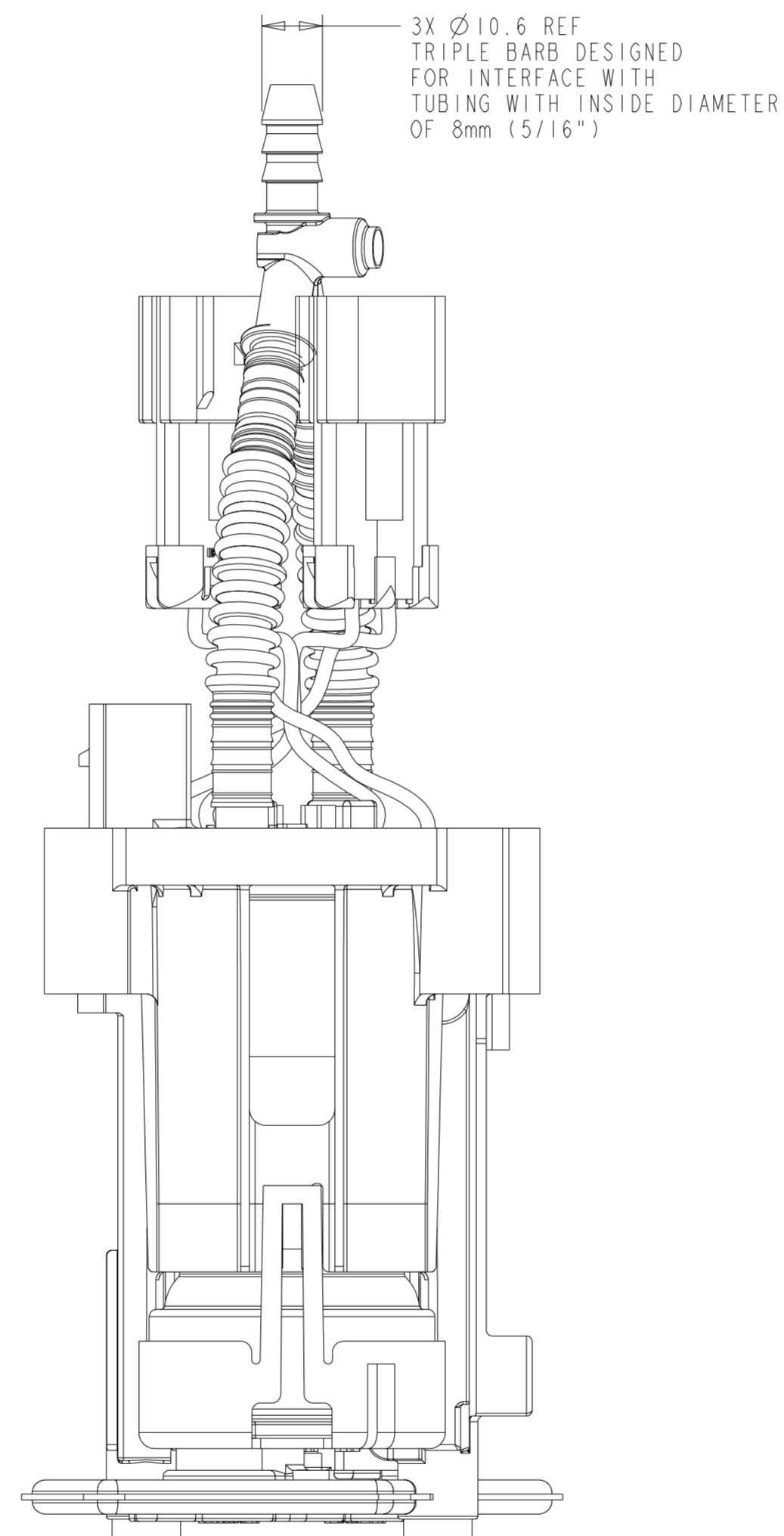
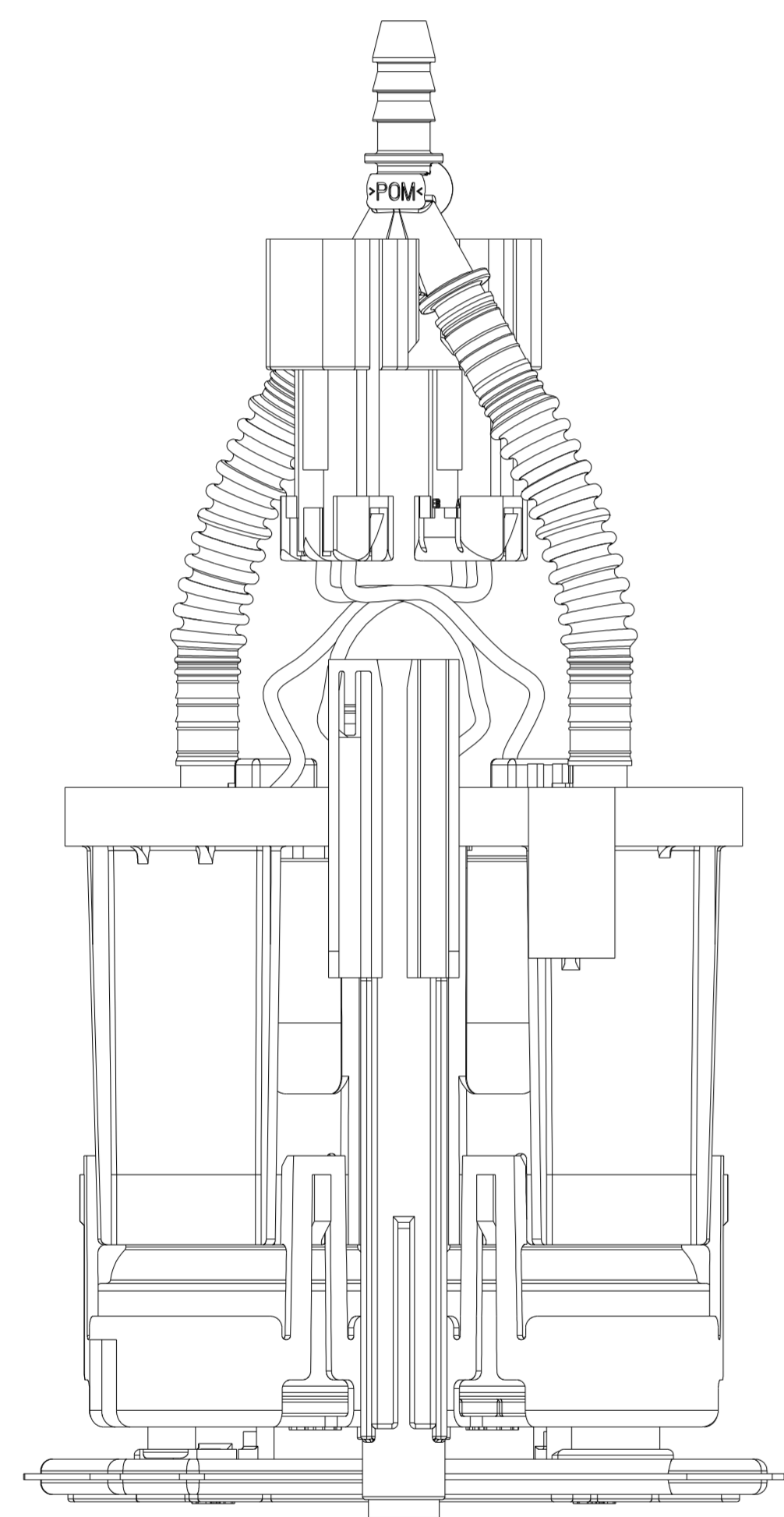
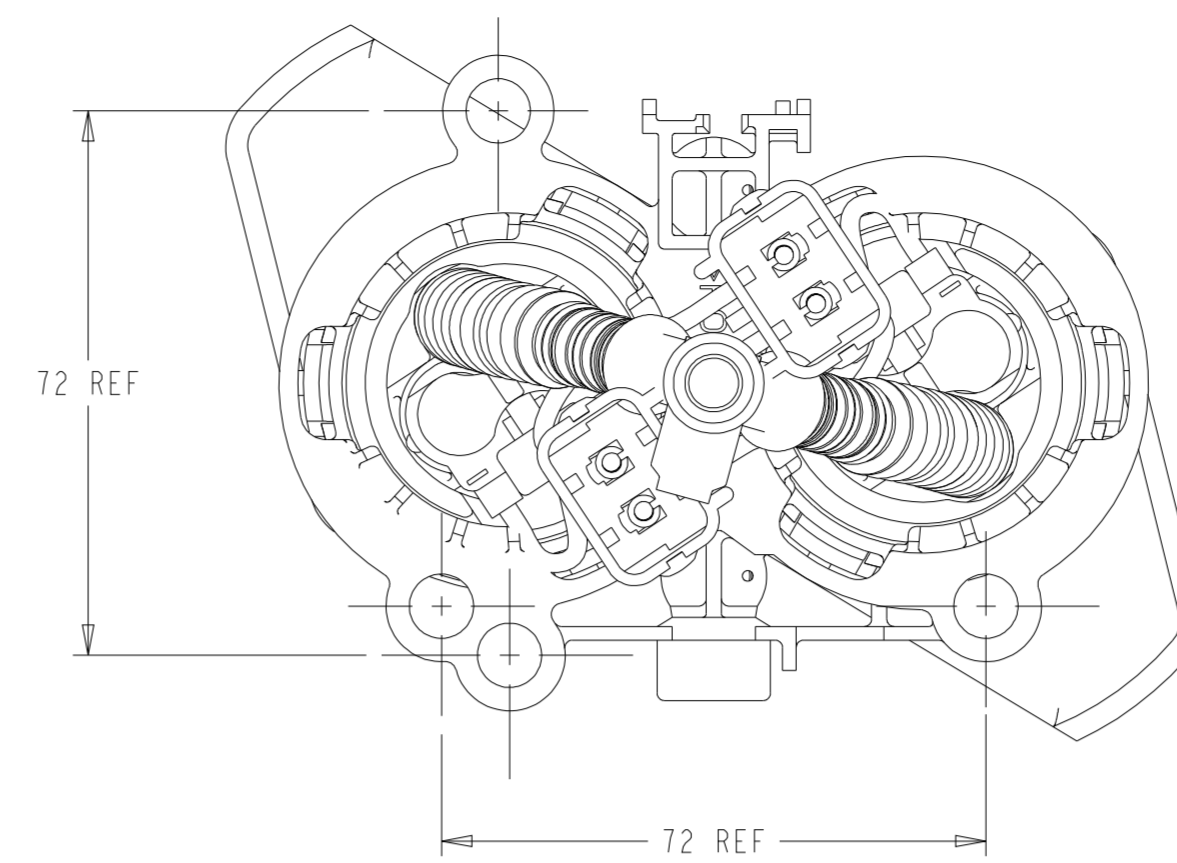


REVISIONS						
ZONE	LTR	DESCRIPTION	CHANGE No	DATE	BY	APPR'D
	AA	INITIAL RELEASE	80786	12DEC18	SLK	BLM



CONNECTOR SUPPLIED  
ON PUMPS  
SCALE 2:1

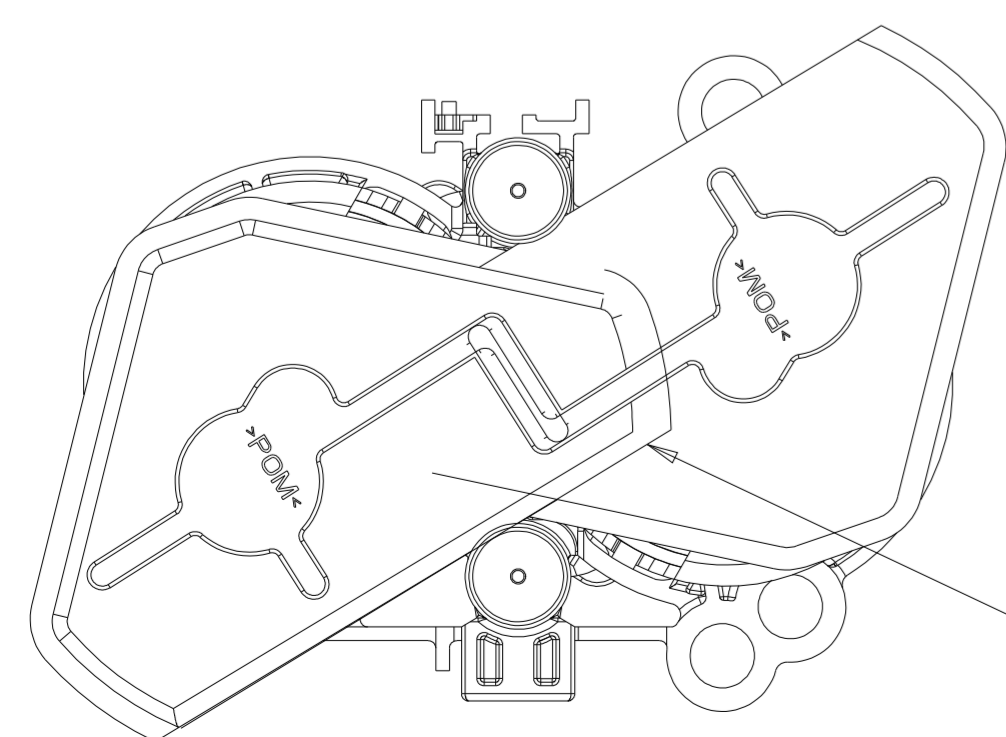
TYPICAL MATING CONNECTOR  
REQUIRED FOR EACH PUMP  
SCALE 2:1



INFO LOCATION  
REFERENCE BILL OF MATERIAL

NOTES:

- SPECIAL CUSTOMER PACKAGING REQUIREMENTS MAY CALL FOR THE ADDITION OF SPECIFIC LABELS NOT SHOWN ON THIS DRAWING.
- MODULE TO BE PACKAGED USING COMPONENTS NOTED ON BOM SO THAT CONTAMINATION FROM FOREIGN MATERIAL IS PREVENTED:
  - PLUG PROTECTORS ON PORTS
  - POLY BAG



FILTERS WILL OVERLAP  
IN RANDOM ORDER

METRIC  
ALL DIMENSIONS ARE IN MILLIMETERS  
DO NOT SCALE  
DECIMAL TOLERANCES UNLESS OTHERWISE SPECIFIED  
ONE PLACE ±0.25 TWO PLACE ±0.13 ANGLES ±1°  
THIRD ANGLE PROJECTION  
DIMENSIONS IN ACCORDANCE WITH ASME Y14.5 - 2009



KEY PRODUCT CHARACTERISTICS			
REFER TO TI AUTOMOTIVE GLOBAL ADVANCED QUALITY PLANNING DOCUMENT # FDS-P1-P-021 FOR THE CLASSIFICATION AND CONTROL OF KEY PRODUCT CHARACTERISTICS			
▽ - SAFETY CHARACTERISTIC	---	TOTAL ON SHEET	TOTAL ON DRAWING
◇ - CRITICAL CHARACTERISTIC	---		
◆ - HIGH IMPACT CHARACTERISTIC	---		
TI AUTOMOTIVE CONFIDENTIAL AND PROPRIETARY. THIS DRAWING IS PROPERTY OF TI AUTOMOTIVE. TI AUTOMOTIVE CLAIMS PROPRIETARY RIGHTS IN THE SUBJECT MATTER SHOWN AND DESCRIBED ON THIS DRAWING AND RETAINS ALL INTELLECTUAL PROPERTY RIGHTS. THE DRAWING IS PROVIDED FOR REFERENCE PURPOSES ONLY AND ON THE EXPRESS CONDITION THAT IT WILL BE HELD IN CONFIDENCE. THIS DRAWING SHALL NOT BE DISCLOSED TO OTHERS OR USED FOR THE PURPOSE OF MANUFACTURE BY OR PROCUREMENT FROM OTHERS OF THE ARTICLE OR PART SHOWN WITHOUT TI AUTOMOTIVE'S EXPRESS WRITTEN CONSENT. NO LICENSE OR OTHER RIGHT IS GIVEN OR IMPLIED BY THE PROVISION OF THIS DRAWING TO RECIPIENT. COPYRIGHT, TI AUTOMOTIVE 2018. ALL RIGHTS RESERVED.			
ENGINEER:	B.MIDDLETON	12DEC2018	MATERIAL/SPECIFICATION: SEE NOTES
DESIGNER:	S.KADY	12DEC2018	
CAD SYSTEM: PRO/E	SCALE: 1:1	SHEET NO.   OF	
REFERENCE TO REV.:		3D PLM REFERENCE REV.:	AR0050376/AA
REFERENCE TO REV.:		3D PLM REFERENCE REV.:	AR0050375/AA
DRAWING NAME: FUEL MODULE OUTLINE			
SIZE: A1	DRAWING NUMBER: TCA956		