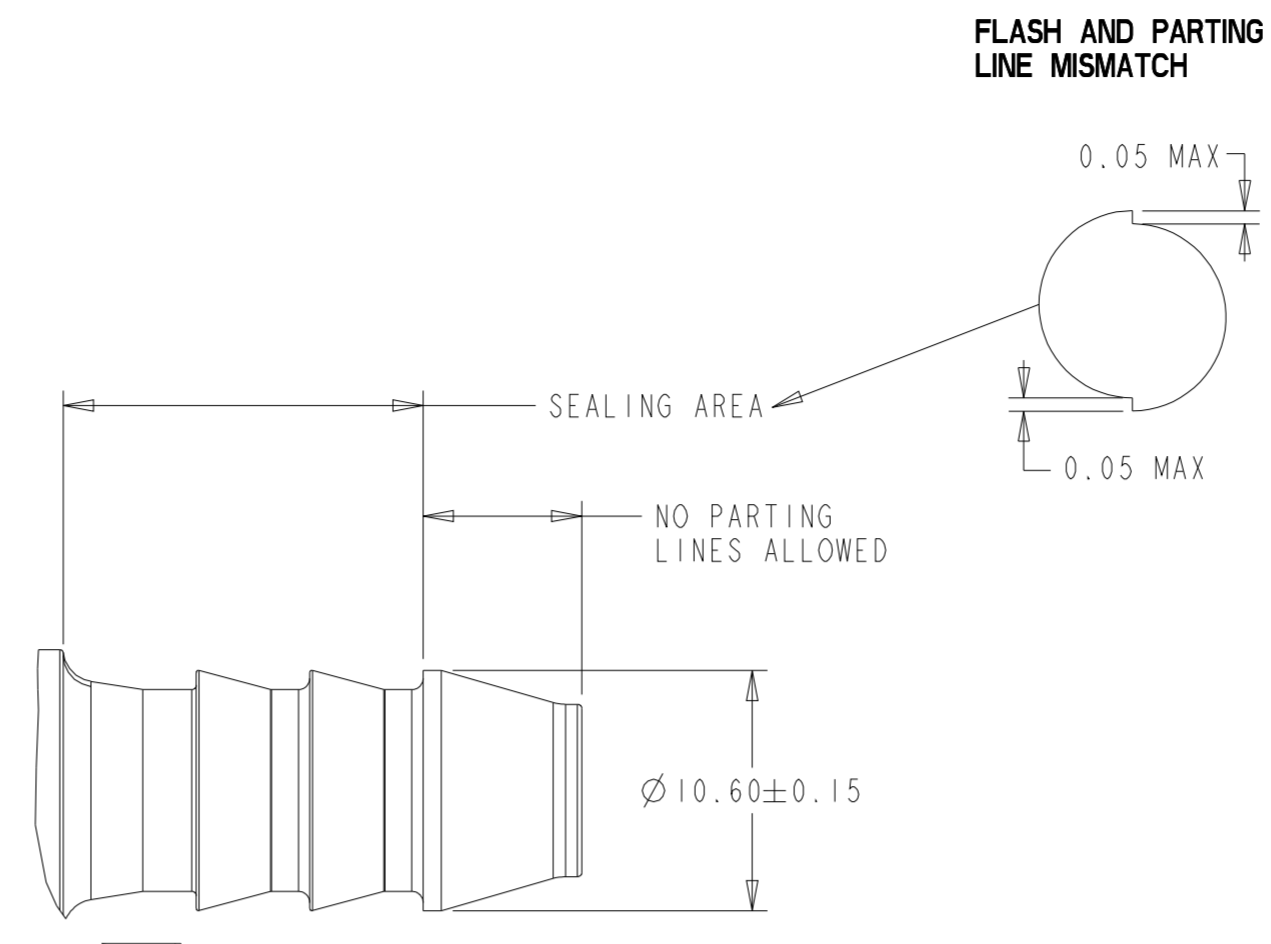
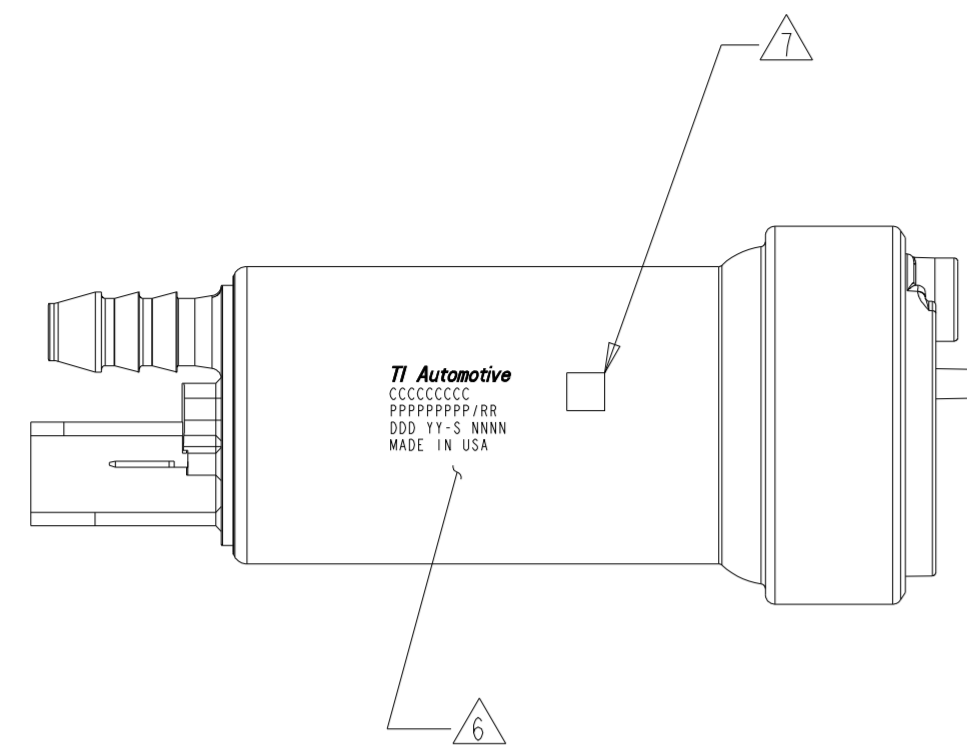
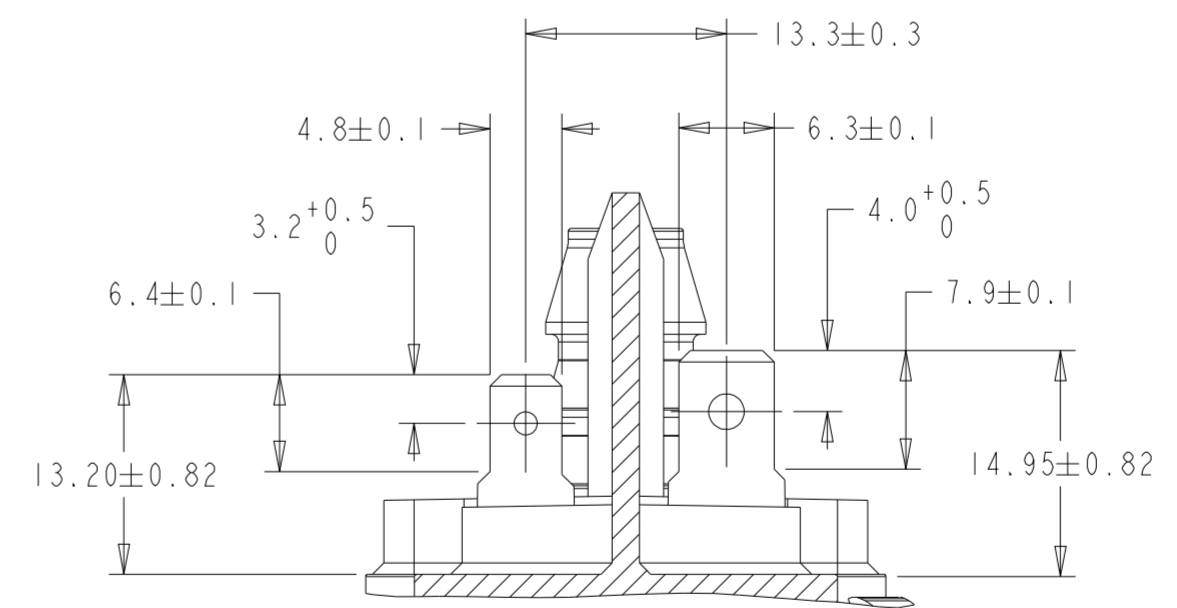
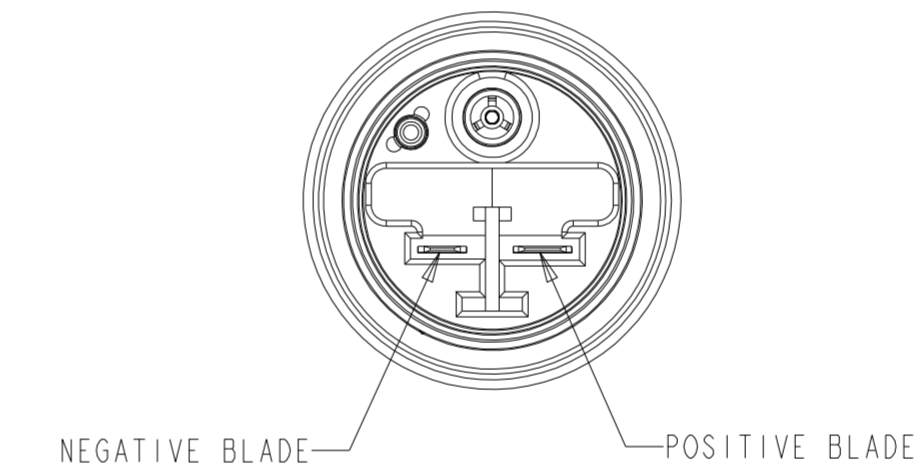
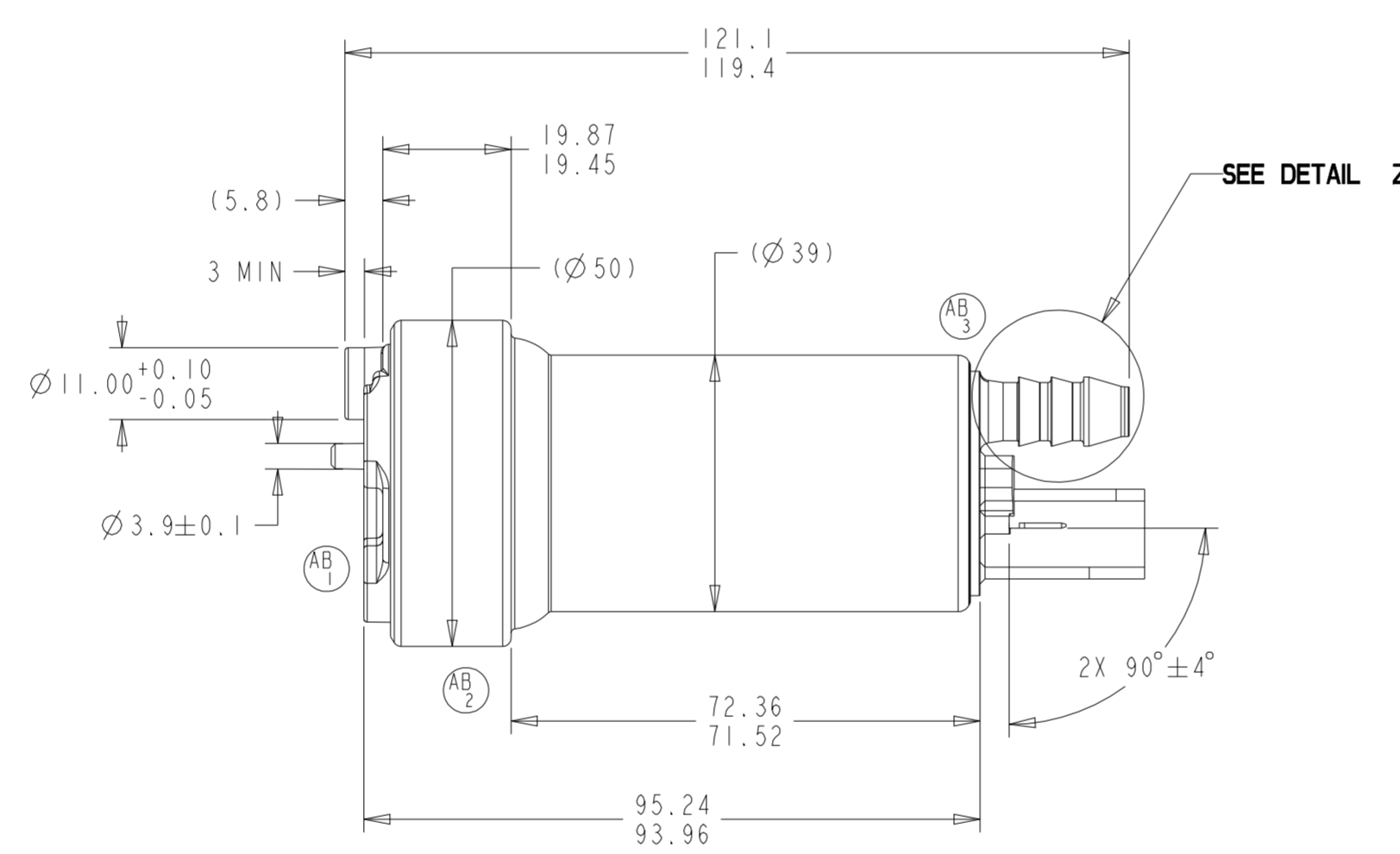
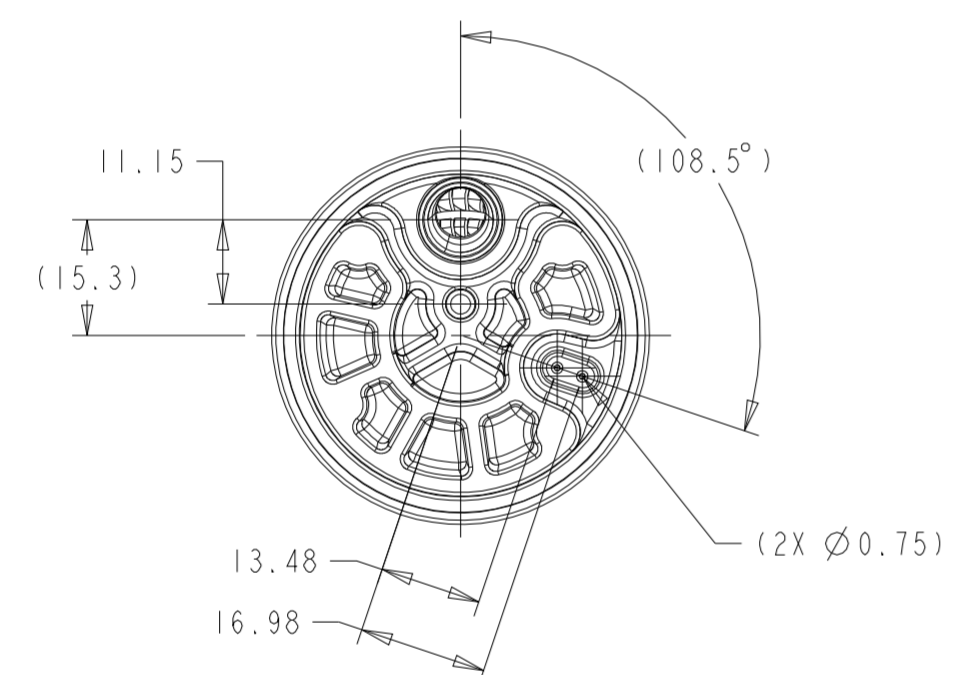


REVISIONS						
ZONE	LTR	DESCRIPTION	CHANGE No	DATE	BY	APPR'D
8-D	AA	INITIAL RELEASE	C2758	07AUG14	RMB	BLM
8-D	AB	AB1 0213780 INLET COVER WAS 0213643	C10023 DR74777	11APR19	SLK	BJG
8-D		AB2 0250604 UPPER CAP WAS 0250549				
7-D		AB3 000106742 CHECK VALVE WAS 1760594				



DETAIL Z
SCALE 3:1



PUMP PERFORMANCE						
	VOLTAGE	PRESSURE		MIN FLOW RATE		MAX CURRENT
	VDC	kPa	PSI (REF)	LPH	GPH (REF)	AMPS
RUNNING						
RUNNING	13.5	345	50	260	68.6	14.5
SHUT OFF	12.0	750-1100	108-159	0	0	18

NOTES:

- PUMP WILL BE PACKAGED TO PREVENT CONTAMINATION BY FOREIGN MATERIAL
- TERMINAL BLADES DESIGNED TO SAE J858 TYPE 1B, WITH AN EXCEPTION TO DIM G (THICKNESS IS 0.81 NOT 0.50) FOR THE NEGATIVE TERMINAL
- MODEL DCSS 39/50, NON-FFV PUMP
- PUMP TO BE EVACUATED OF TEST FLUID PRIOR TO INSTALLATION OF SHIPPING CAPS
- MINIMUM RECOMMENDED WIRE GAGE: 12

6 LASER ETCH INFO:
 TI AUTOMOTIVE
 CCCCCCCC = CUSTOMER PART NUMBER (IF REQUIRED)
 PPPPPPPP = TI AUTOMOTIVE PART NUMBER, RR = TI AUTOMOTIVE PART REV
 DDD = JULIAN DATE, YY = YEAR, S = SHIFT, NNNN = SERIAL NUMBER
 MADE IN USA

7 DATA MATRIX CODE = PART NUMBER, JULIAN DATE-SHIFT-SERIAL NUMBER
 (EX: 000112306X16413-1-0123)

KEY PRODUCT CHARACTERISTICS

REFER TO TI AUTOMOTIVE GLOBAL ADVANCED QUALITY PLANNING DOCUMENT CW-4-ALL-411 FOR THE CLASSIFICATION AND CONTROL OF KEY PRODUCT CHARACTERISTICS

TYPE OF CHARACTERISTIC	SAFETY	REGULATORY	FUNCTION	FUNCTION PROCESS
NUMBER PER EACH CHARACTERISTIC	0	0	0	0
TOTAL NUMBER OF CHARACTERISTICS	0	0	0	0

THIS DRAWING IS PROPERTY OF TI AUTOMOTIVE. TI AUTOMOTIVE CLAIMS PROPRIETARY RIGHTS IN THE SUBJECT MATTER SHOWN AND DESCRIBED ON THIS DRAWING AND RETAINS ALL INTELLECTUAL PROPERTY RIGHTS. THE DRAWING IS PROVIDED FOR REFERENCE PURPOSES ONLY AND ON THE EXPRESS CONDITION THAT IT WILL BE HELD IN CONFIDENCE. THIS DRAWING SHALL NOT BE DISCLOSED TO OTHERS OR USED FOR THE PURPOSE OF MANUFACTURE BY OR PROCUREMENT FROM OTHERS OF THE ARTICLE OR PART SHOWN WITHOUT TI AUTOMOTIVE'S EXPRESS WRITTEN CONSENT. NO LICENSE OR OTHER RIGHT IS GIVEN OR IMPLIED BY THE PROVISION OF THIS DRAWING TO RECIPIENT.
 COPYRIGHT, TI AUTOMOTIVE 2018, ALL RIGHTS RESERVED.

METRIC
 ALL DIMENSIONS ARE IN MILLIMETERS

DO NOT SCALE
 DECIMAL TOLERANCES UNLESS OTHERWISE SPECIFIED
 ONE PLACE ±0.25 TWO PLACE ±0.13 ANGLES ±1°

THIRD ANGLE PROJECTION
 DIMENSIONS IN ACCORDANCE WITH ASME Y14.5 - 2009

TI Automotive
 630 COLUMBIA ST.
 CARO, MI 48723
 +1 989.673.7727

ENGINEER:	B.MIDDLETON	07AUG2014	MATERIAL/SPECIFICATION:
DESIGNER:	R.BRUBAKER	07AUG2014	
CAD SYSTEM:	PRO/E	SCALE: 1:1	SHEET NO. 1 OF 1
REFERENCE TO/REV.:	F90000272	3D PLM REFERENCE/REV.:	AR0037834/AB
REFERENCE TO/REV.:	000112306/AD	3D PLM REFERENCE/REV.:	AR0037085/AB
DRAWING NAME: FUEL PUMP OUTLINE			
SIZE:	A1	DRAWING NUMBER:	000112306