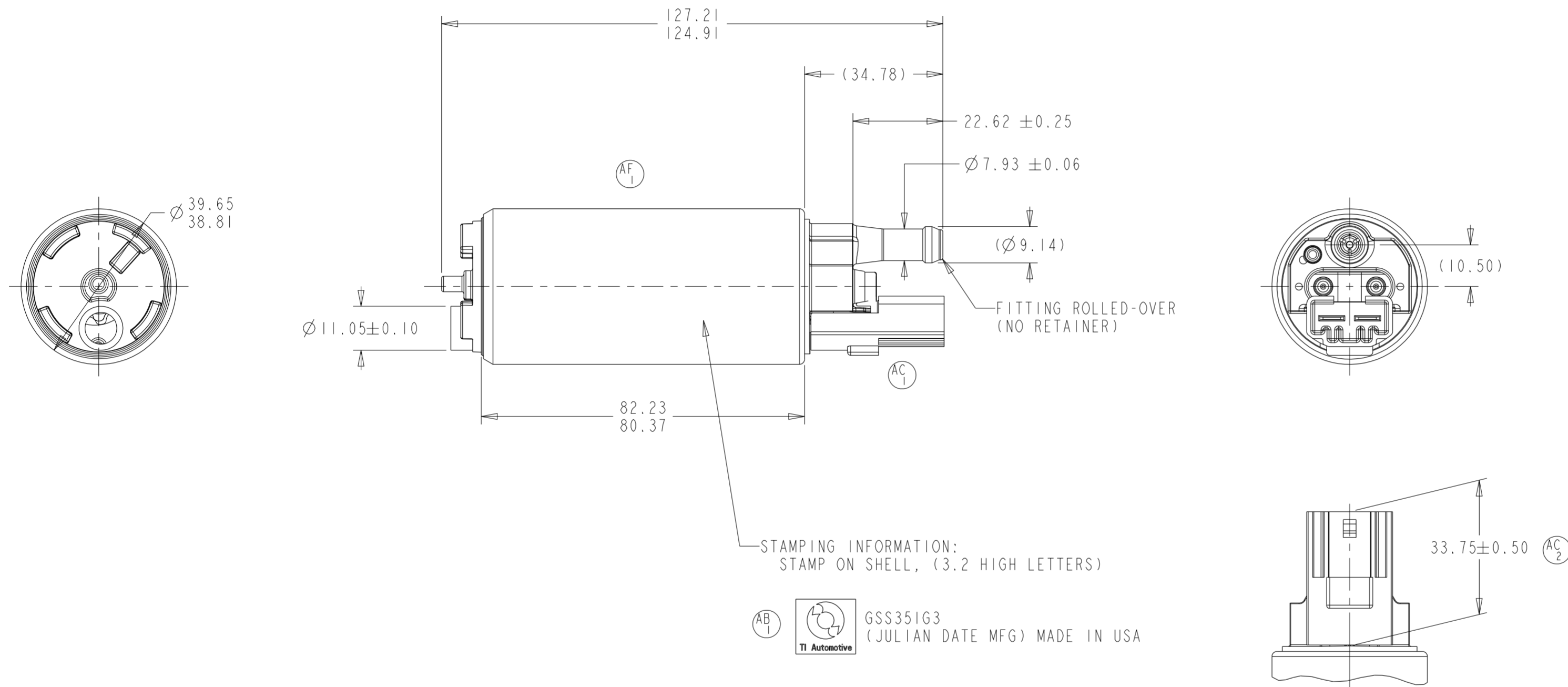


REVISIONS						
ZONE	LTR	DESCRIPTION	CHANGE No	DATE	BY	APPR'D
	AA	INITIAL RELEASE	C'5865	14NOV18	SLK	BLM
5-C	AB	ABI UPDATED STAMPING INFO AND LOGO	81104	12APR19	SLK	BLM
5-D 3-C	AC	AC1 CHANGED RFI AC2 33.75±0.50 WAS 34.75±0.75	82070	28AUG20	SLK	TLH
8-A	AD	AD1 REMOVED SECOND FLOW REQ'T	82174	06OCT20	SLK	TLH
8-A	AE	AE1 UPDATED PERFORMANCE TABLE	82469	27APR21	SLK	TLH
6-E	AF	AF1 DBTC0031 MAGNETS WERE 184-31	C3-3985	31MAR23	JTK	MLM



PERFORMANCE CHART			
TEST FLUID: STODDARD SOLVENT TYPE II SPEC. GRADE 0.79			
VOLTAGE	PRESSURE (kPa)	MIN. FLOW (LPH)	MAX. CURRENT DRAW (AMPS)
13.5	300	270	19.5
SHUT OFF PRESSURE AT 10.5 V: 1100 kPa MAX, 750 kPa MIN			

NOTES:

- ELECTRICAL TERMINALS SHOULD BE CONNECTED TO 250 FASTEN TERMINAL (FEMALE) INSULATOR PORTION CAN BE CONNECTED TO: SUMITOMO ELECTRIC INDUSTRIES PART NO. 6098-0731, 6914-0019 OR AMP CONNECTOR PART NO. C-346027-1
- PUMPS SHALL BE SUITABLY PACKAGED TO PREVENT CONTAMINATION WITH FOREIGN MATERIAL

KEY PRODUCT CHARACTERISTICS				
REFER TO TI AUTOMOTIVE GLOBAL ADVANCED QUALITY PLANNING DOCUMENT CW-4-ALL-411 FOR THE CLASSIFICATION AND CONTROL OF KEY PRODUCT CHARACTERISTICS				
TYPE OF CHARACTERISTIC	SAFETY	REGULATORY	FUNCTION	FUNCTION PROCESS
	SC	SC	SC	SC
NUMBER PER EACH CHARACTERISTIC				
TOTAL NUMBER OF CHARACTERISTICS				
- TI AUTOMOTIVE CONFIDENTIAL AND PROPRIETARY - THIS DRAWING IS PROPERTY OF TI AUTOMOTIVE. TI AUTOMOTIVE CLAIMS PROPRIETARY RIGHTS IN THE SUBJECT MATTER SHOWN AND DESCRIBED ON THIS DRAWING AND RETAINS ALL INTELLECTUAL PROPERTY RIGHTS. THE DRAWING IS PROVIDED FOR REFERENCE PURPOSES ONLY AND ON THE EXPRESS CONDITION THAT IT WILL BE HELD IN CONFIDENCE. THIS DRAWING SHALL NOT BE DISCLOSED TO OTHERS OR USED FOR THE PURPOSE OF MANUFACTURE BY OR PROCUREMENT FROM OTHERS OF THE ARTICLE OR PART SHOWN WITHOUT TI AUTOMOTIVE'S EXPRESS WRITTEN CONSENT. NO LICENSE OR OTHER RIGHT IS GIVEN OR IMPLIED BY THE PROVISION OF THIS DRAWING TO RECIPIENT. COPYRIGHT, TI AUTOMOTIVE 2018, ALL RIGHTS RESERVED.				

METRIC
ALL DIMENSIONS ARE IN MILLIMETERS

DO NOT SCALE
DECIMAL TOLERANCES UNLESS OTHERWISE SPECIFIED
ONE PLACE ± 0.25 TWO PLACE ± 0.13 ANGLES $\pm 1^\circ$

THIRD ANGLE PROJECTION
DIMENSIONS IN ACCORDANCE WITH ASME Y14.5 - 2009

TI Automotive
630 COLUMBIA ST.
CARO, MI 48723
+1 989.673.7727

ENGINEER:	B.MIDDLETON	14NOV2018	MATERIAL/SPECIFICATION:	N/A
DESIGNER:	S.KADY	14NOV2018		
CAD SYSTEM: PRO/E	SCALE: 1:1	SHEET NO. 1 OF 1		
REFERENCE ID/REV.:	HJPT0351	2D PLM REFERENCE/REV.: AR0049918/AF		
REFERENCE ID/REV.:	000121571/AD	3D PLM REFERENCE/REV.: AR0049917/AD		
DRAWING NAME: FUEL PUMP OUTLINE				
SIZE:	A2	DRAWING NUMBER: GSS351G3		