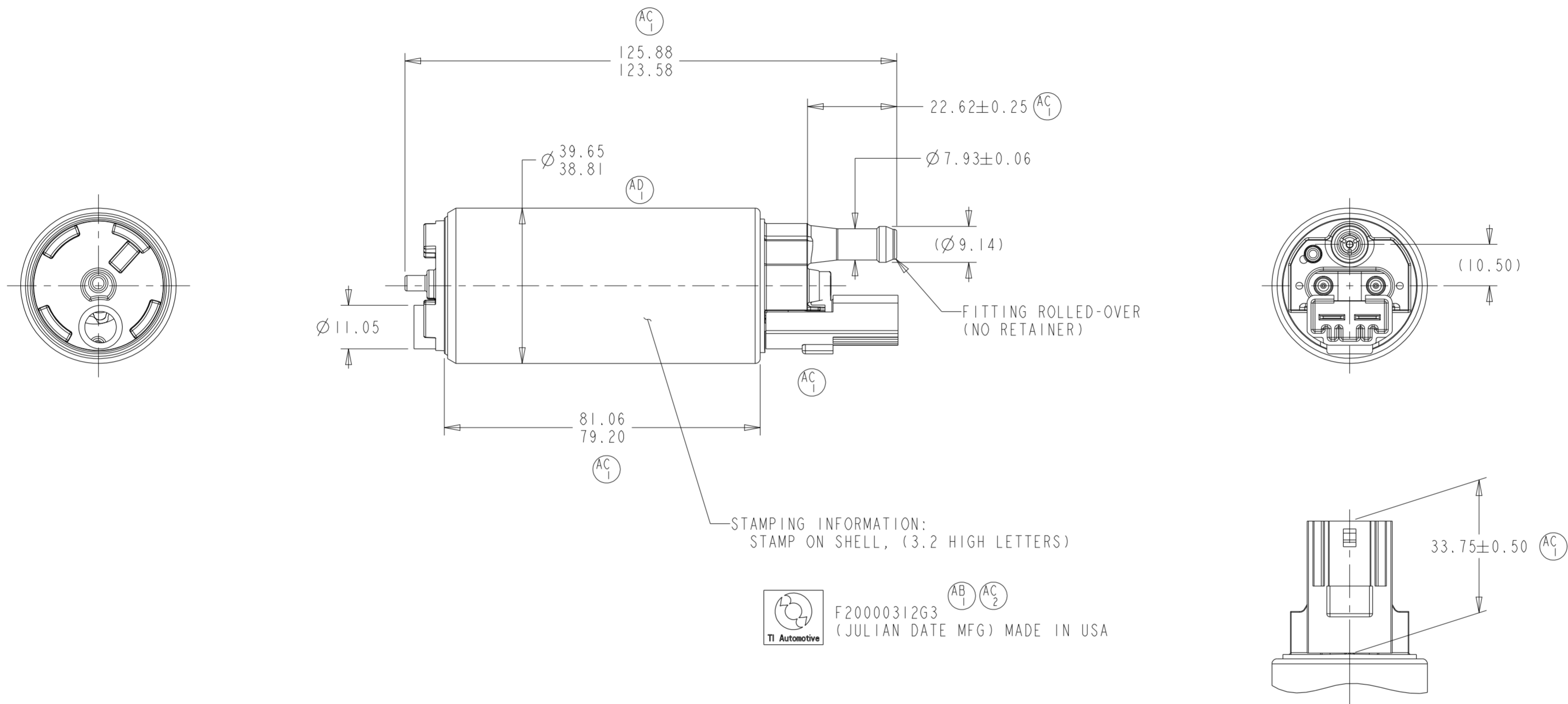


REVISIONS						
ZONE	LTR	DESCRIPTION	CHANGE No	DATE	BY	APPR'D
	AA	RELEASE FOR PRODUCTION	C'2619 DR47252	29APR14	WDE	BLM
5-C	AB	ABI REM'D TI PLM NUMBER FROM ROLL STAMP INFO	DR48587	23JUL14	WDE	BLM
---	AC	AC1 UPDATED OUTLET COVER, RFI AND PRESSURE RELIEF AC2 F20000312G3 WAS F20000312	DR89266	10FEB22	SLK	RK
5-E	AD	AD1 DBTC0031 MAGNETS WERE 184-31	C3'3985	31MAR23	JTK	MLM



NOTES:

- ELECTRICAL TERMINALS SHOULD BE CONNECTED TO 250 FASTEN TERMINAL (FEMALE) INSULATOR PORTION CAN BE CONNECTED TO: SUMITOMO ELECTRIC INDUSTRIES PART NO. 6098-0731, 6914-0019 OR AMP CONNECTOR PART NO. C-346027-1
- PUMPS SHALL BE SUITABLY PACKAGED TO PREVENT CONTAMINATION WITH FOREIGN MATERIAL

METRIC
ALL DIMENSIONS ARE IN MILLIMETERS

DO NOT SCALE
DECIMAL TOLERANCES UNLESS OTHERWISE SPECIFIED
ONE PLACE ±0.25 TWO PLACE ±0.13 ANGLES ±1°

THIRD ANGLE PROJECTION
DIMENSIONS IN ACCORDANCE WITH ASME Y14.5 - 2009

TI Automotive
630 COLUMBIA ST.
CARO, MI 48723
+1 989.673.7727

ENGINEER:	B.MIDDLETON	29APR2014	MATERIAL/SPECIFICATION:
DESIGNER:	W.ERBACHER	29APR2014	
CAD SYSTEM: PRO/E	SCALE: 1:1	SHEET NO. OF	
REFERENCE ID/REV.:	HJPT2312	2D PLM REFERENCE/REV.: AR0037025/AD	
REFERENCE ID/REV.:	000112256/AC	3D PLM REFERENCE/REV.: AR0037023/AC	
DRAWING NAME: FUEL PUMP OUTLINE			
SIZE:	A2	DRAWING NUMBER:	F20000312G3 (AC2)

KEY PRODUCT CHARACTERISTICS				
REFER TO TI AUTOMOTIVE GLOBAL ADVANCED QUALITY PLANNING DOCUMENT CW-4-ALL-411 FOR THE CLASSIFICATION AND CONTROL OF KEY PRODUCT CHARACTERISTICS				
TYPE OF CHARACTERISTIC	SAFETY	REGULATORY	FUNCTION	FUNCTION PROCESS
NUMBER PER EACH CHARACTERISTIC	1	1	1	1
TOTAL NUMBER OF CHARACTERISTICS	1	1	1	1

TI AUTOMOTIVE CONFIDENTIAL AND PROPRIETARY - THIS DRAWING IS PROPERTY OF TI AUTOMOTIVE. TI AUTOMOTIVE CLAIMS PROPRIETARY RIGHTS IN THE SUBJECT MATTER SHOWN AND DESCRIBED ON THIS DRAWING AND RETAINS ALL INTELLECTUAL PROPERTY RIGHTS. THE DRAWING IS PROVIDED FOR REFERENCE PURPOSES ONLY AND ON THE EXPRESS CONDITION THAT IT WILL BE HELD IN CONFIDENCE. THIS DRAWING SHALL NOT BE DISCLOSED TO OTHERS OR USED FOR THE PURPOSE OF MANUFACTURE BY OR PROCUREMENT FROM OTHERS OF THE ARTICLE OR PART SHOWN WITHOUT TI AUTOMOTIVE'S EXPRESS WRITTEN CONSENT. NO LICENSE OR OTHER RIGHT IS GIVEN OR IMPLIED BY THE PROVISION OF THIS DRAWING TO RECIPIENT.
COPYRIGHT, TI AUTOMOTIVE 2018, ALL RIGHTS RESERVED.

8

7

6

5

4

3

2

1