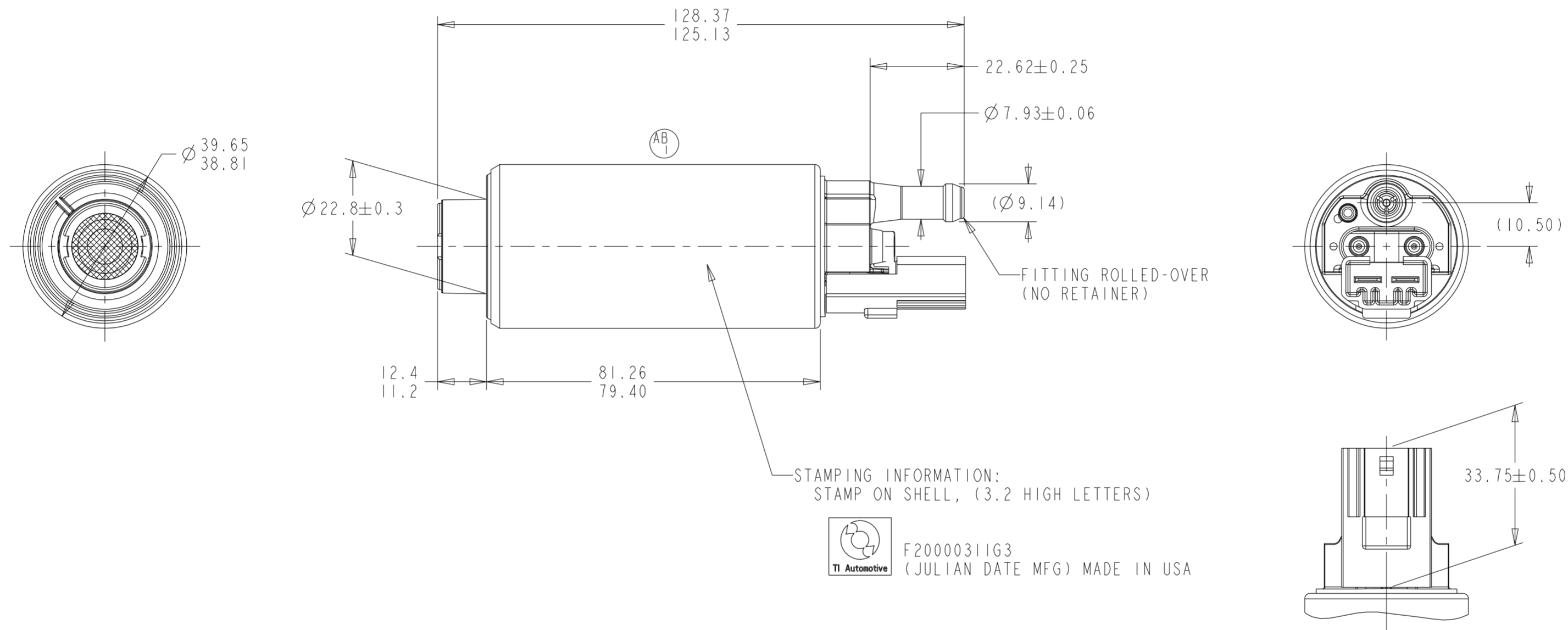


| REVISIONS |     |                                  |           |         |     |        |
|-----------|-----|----------------------------------|-----------|---------|-----|--------|
| ZONE      | LTR | DESCRIPTION                      | CHANGE No | DATE    | BY  | APPR'D |
|           | AA  | INITIAL RELEASE                  | DR84183   | 23APR21 | SLK | TLH    |
| 5-E       | AB  | ABI DBTC0031 MAGNETS WERE 184-31 | C3'3985   | 28MAR23 | JTK | MLM    |



NOTES:

- PUMP SHALL BE SUITABLY PACKAGED TO PREVENT CONTAMINATION WITH FOREIGN MATERIAL.
- ELECTRICAL TERMINALS SHOULD BE CONNECTED TO 250 FASTON TERMINAL (FEMALE) INSULATOR PORTION CAN BE CONNECTED TO: SUMITOMO ELECTRIC INDUSTRIES PART NO. 6098-0731, 6914-0019 OR AMP CONNECTOR PART NO. C-346027-1

| KEY PRODUCT CHARACTERISTICS   |        |            |          |                  |
|---|--------|------------|----------|------------------|
| REFER TO TI AUTOMOTIVE GLOBAL ADVANCED QUALITY PLANNING DOCUMENT CW-4-ALL-411 FOR THE CLASSIFICATION AND CONTROL OF KEY PRODUCT CHARACTERISTICS |        |            |          |                  |
| TYPE OF CHARACTERISTIC  | SAFETY | REGULATORY | FUNCTION | FUNCTION PROCESS |
| NUMBER PER EACH CHARACTERISTIC  | ---    | ---        | ---      | ---              |
| TOTAL NUMBER OF CHARACTERISTICS   | ---    | ---        | ---      | ---              |

TI AUTOMOTIVE CONFIDENTIAL AND PROPRIETARY - THIS DRAWING IS PROPERTY OF TI AUTOMOTIVE. TI AUTOMOTIVE CLAIMS PROPRIETARY RIGHTS IN THE SUBJECT MATTER SHOWN AND DESCRIBED ON THIS DRAWING AND RETAINS ALL INTELLECTUAL PROPERTY RIGHTS. THE DRAWING IS PROVIDED FOR REFERENCE PURPOSES ONLY AND ON THE EXPRESS CONDITION THAT IT WILL BE HELD IN CONFIDENCE. THIS DRAWING SHALL NOT BE DISCLOSED TO OTHERS OR USED FOR THE PURPOSE OF MANUFACTURE BY OR PROCUREMENT FROM OTHERS OF THE ARTICLE OR PART SHOWN WITHOUT TI AUTOMOTIVE'S EXPRESS WRITTEN CONSENT. NO LICENSE OR OTHER RIGHT IS GIVEN OR IMPLIED BY THE PROVISION OF THIS DRAWING TO RECIPIENT. COPYRIGHT, TI AUTOMOTIVE 2018. ALL RIGHTS RESERVED.

METRIC  
ALL DIMENSIONS ARE IN MILLIMETERS

**DO NOT SCALE**  
DECIMAL TOLERANCES UNLESS OTHERWISE SPECIFIED  
ONE PLACE ±0.25 TWO PLACE ±0.13 ANGLES ±1°

THIRD ANGLE PROJECTION  
 DIMENSIONS IN ACCORDANCE WITH ASME Y14.5 - 2009

630 COLUMBIA ST.  
 CARO, MI 48723  
 +1 989.673.7727

|                                    |              |                                     |                         |
|------------------------------------|--------------|-------------------------------------|-------------------------|
| ENGINEER:                          | T.HOBSON     | 23APR2021                           | MATERIAL/SPECIFICATION: |
| DESIGNER:                          | S.KADY       | 23APR2021                           |                         |
| CAD SYSTEM: PRO/E                  | SCALE: 1:1   | SHEET NO.   OF                      |                         |
| REFERENCE ID/REV.:                 | HJPT0038     | 2D PLM REFERENCE/REV.: AR0061187/AB |                         |
| REFERENCE ID/REV.:                 | 000130904/AB | 3D PLM REFERENCE/REV.: AR0061186/AB |                         |
| DRAWING NAME:<br>FUEL PUMP OUTLINE |              |                                     |                         |
| SIZE:                              | A2           | DRAWING NUMBER:<br>F20000311G3      |                         |