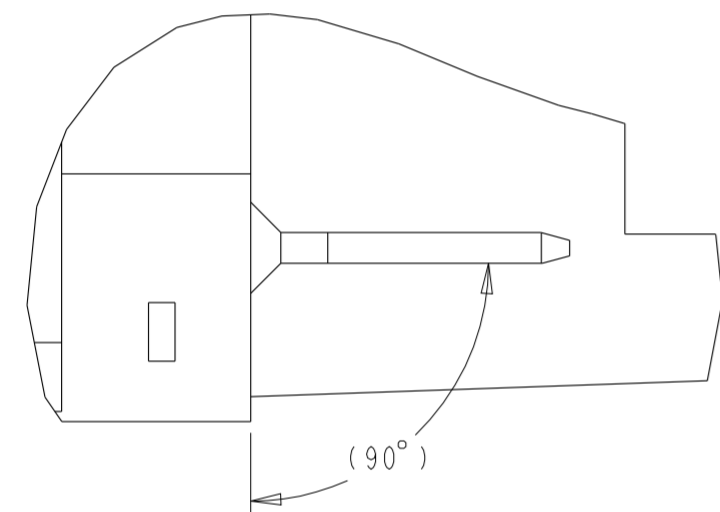
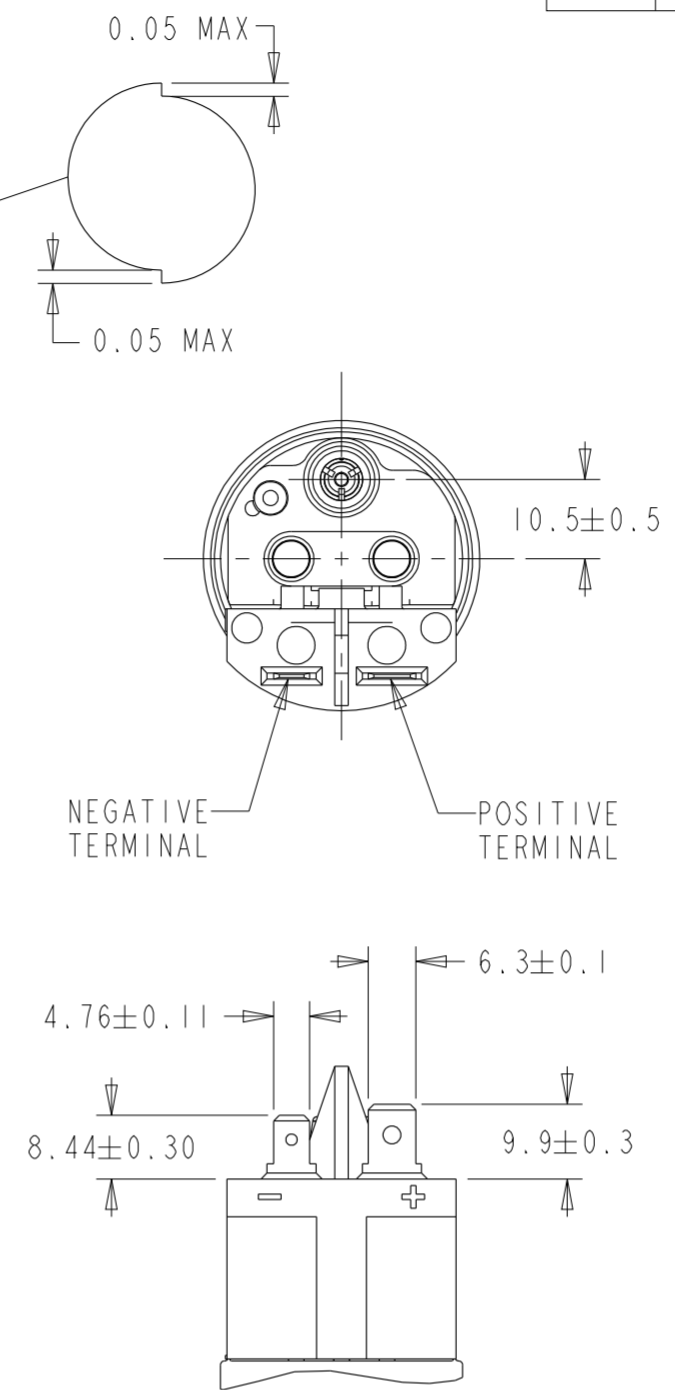
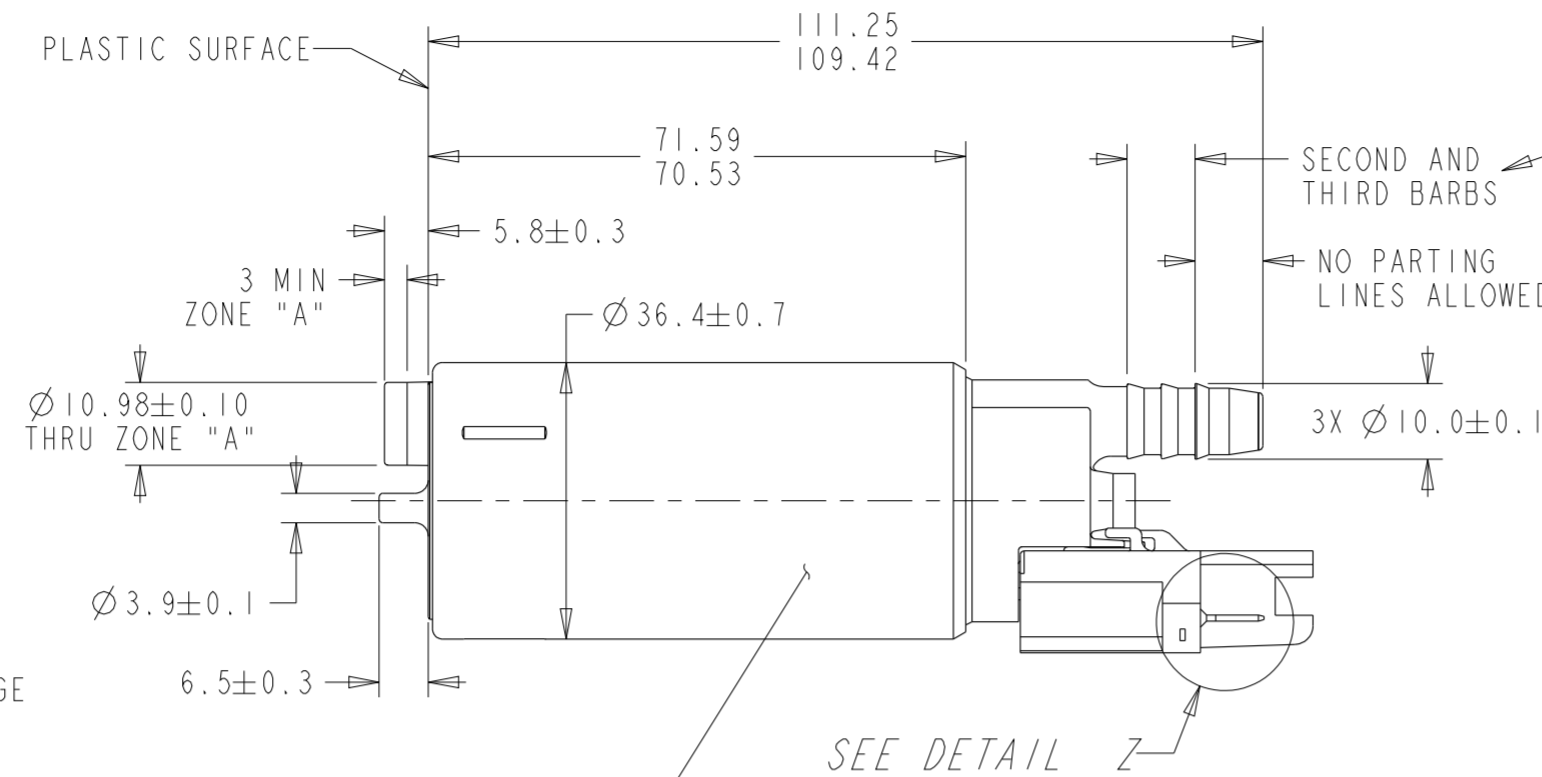
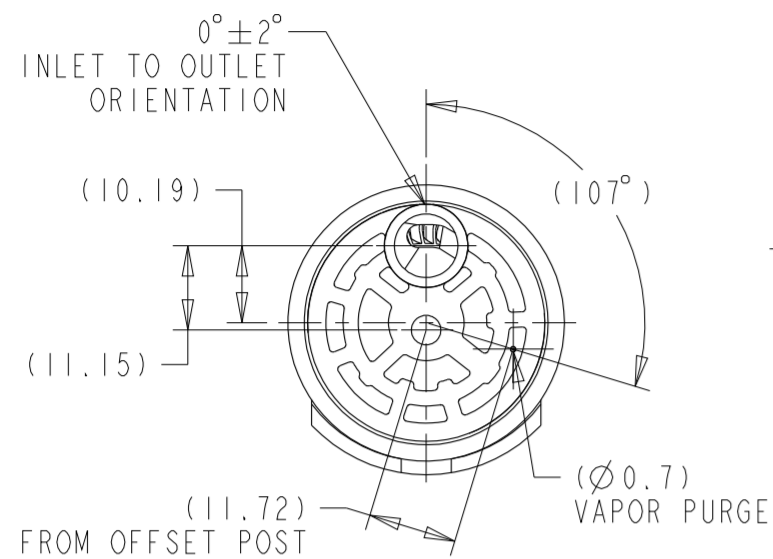


REVISIONS

ZONE	LTR	DESCRIPTION	CHANGE No	DATE	BY	APPR'D
	AA	INITIAL RELEASE	DR95691	01JUN23	JTK	BLM

FLASH AND PARTING LINE MISMATCH



DETAIL Z  
SCALE 5:1  
(BOTH BLADES)

SEE DETAIL Z



F10000379  
HJQG0121XX ("XX" IS CURRENT REVISION)  
(JULIAN DATE MFG) MADE IN USA

NOTES:

- PUMP TO BE SUITABLY PACKAGED TO PREVENT CONTAMINATION FROM FOREIGN MATERIAL.
- CUSTOMER MUST FOLLOW TI AUTOMOTIVE SPECIFICATION S-448 WHEN HANDLING THIS PUMP.
- TERMINAL BLADES DESIGNED TO SAE J858a TYPE IB EXCEPT FOR DIMENSION G (THICKNESS) WHICH IS 0.81.
- MINIMUM RECOMMENDED WIRE GAGE: 14.
- MODEL: TI.9
- RFI: DIN 5

KEY PRODUCT CHARACTERISTICS			
REFER TO TI AUTOMOTIVE GLOBAL ADVANCED QUALITY PLANNING DOCUMENT CW-4-ALL-411 FOR THE CLASSIFICATION AND CONTROL OF KEY PRODUCT CHARACTERISTICS			
TYPE OF CHARACTERISTIC	SAFETY	REGULATORY	FUNCTION / FUNCTION PROCESS
NUMBER PER EACH CHARACTERISTIC	SC	SC	SC
TOTAL NUMBER OF CHARACTERISTICS	1	1	1

TI AUTOMOTIVE CONFIDENTIAL AND PROPRIETARY - THIS DRAWING IS PROPERTY OF TI AUTOMOTIVE. TI AUTOMOTIVE CLAIMS PROPRIETARY RIGHTS IN THE SUBJECT MATTER SHOWN AND DESCRIBED ON THIS DRAWING AND RETAINS ALL INTELLECTUAL PROPERTY RIGHTS. THE DRAWING IS PROVIDED FOR REFERENCE PURPOSES ONLY AND ON THE EXPRESS CONDITION THAT IT WILL BE HELD IN CONFIDENCE. THIS DRAWING SHALL NOT BE DISCLOSED TO OTHERS OR USED FOR THE PURPOSE OF MANUFACTURE BY OR PROCUREMENT FROM OTHERS OF THE ARTICLE OR PART SHOWN WITHOUT TI AUTOMOTIVE'S EXPRESS WRITTEN CONSENT. NO LICENSE OR OTHER RIGHT IS GIVEN OR IMPLIED BY THE PROVISION OF THIS DRAWING TO RECIPIENT.  
COPYRIGHT, TI AUTOMOTIVE 2018. ALL RIGHTS RESERVED.

METRIC  
ALL DIMENSIONS ARE IN MILLIMETERS

DO NOT SCALE  
DECIMAL TOLERANCES UNLESS OTHERWISE SPECIFIED  
ONE PLACE ±0.25 TWO PLACE ±0.13 ANGLES ±1°

THIRD ANGLE PROJECTION  
DIMENSIONS IN ACCORDANCE WITH ASME Y14.5 - 2009

630 COLUMBIA ST.  
CARO, MI 48723  
+1 989.673.7727

**TI Automotive**

ENGINEER:	B.MIDDLETON	01JUN23	MATERIAL/SPECIFICATION:	SEE NOTES
DESIGNER:	J.KULIGOWSKI	01JUN23		
CAD SYSTEM:	PRO/E	SCALE: 1:1	SHEET NO. 1	OF 1
REFERENCE ID/REV.:	HJQG0121		2D PLM REFERENCE/REV.:	AR3105833/AA
REFERENCE ID/REV.:	300114810/AA		3D PLM REFERENCE/REV.:	AR3105831/AA
DRAWING NAME:	FUEL PUMP OUTLINE			
SIZE:	A2	DRAWING NUMBER:	F10000379	