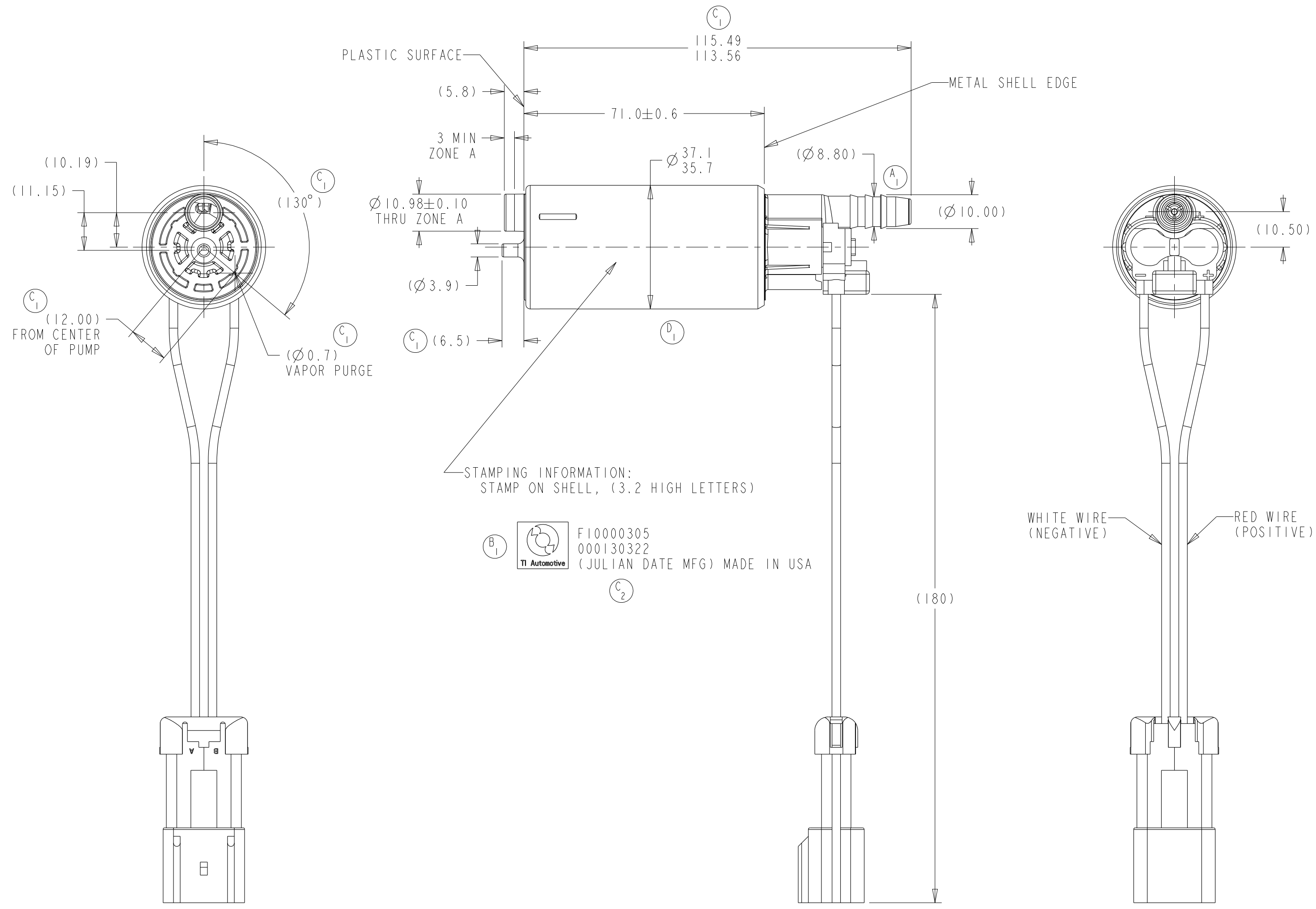


	VOLTS	PRESSURE		FLOW		CURRENT
		kPa	PSI (REF.)	LPH MIN.	GAL MIN (REF.)	AMPS MAX
RUNNING	11.5	470	68	120	31.7	12.5
SHUTOFF	13.2	700-975	101-141	0		16.0

REVISIONS						
ZONE	LTR	DESCRIPTION	CHANGE No	DATE	BY	APPR'D
	REL	PRELASE FOR PRODUCTION	C2110	12JUN13	DRG	BLM
5-E	A	A1 ADDED 1760597 CHECK VALVE	C2180	19JUL13	DRG	BLM
6-C	B	B1 UPDATED TO TI AUTOMOTIVE LOGO	78165	04MAY16	JAK	MAS
---		C1 RE-RELEASED PUMP AS A TI.9 WAS TI.78	83310	05OCT22	SLK	TLH
6-C 1-A	C	C2 UPDATED SHEE STAMP INFO C3 F10000305 WAS 000110530				
6-D	D	D1 DBTC000302 MAGNETS WERE 1840034	C3'4491	21AUG23	JTK	MLM



NOTES:
 1) PUMP WILL BE PACKAGED TO PREVENT CONTAMINATION BY FOREIGN MATERIAL
 2) MODEL TI.9, CARTRIDGE BRUSH PUMP, DIN 1 RF1

WHITE WIRE (NEGATIVE)
 RED WIRE (POSITIVE)

KEY PRODUCT CHARACTERISTICS			
REFER TO TI AUTOMOTIVE GLOBAL ADVANCED QUALITY PLANNING DOCUMENT CW-4-ALL-411 FOR THE CLASSIFICATION AND CONTROL OF KEY PRODUCT CHARACTERISTICS			
TYPE OF CHARACTERISTIC	SAFETY	REGULATORY	FUNCTION
	SC	SC	SC
NUMBER PER EACH CHARACTERISTIC			
TOTAL NUMBER OF CHARACTERISTICS			

TI AUTOMOTIVE CONFIDENTIAL AND PROPRIETARY - THIS DRAWING IS PROPERTY OF TI AUTOMOTIVE. TI AUTOMOTIVE CLAIMS PROPRIETARY RIGHTS IN THE SUBJECT MATTER SHOWN AND DESCRIBED ON THIS DRAWING AND RETAINS ALL INTELLECTUAL PROPERTY RIGHTS. THE DRAWING IS PROVIDED FOR REFERENCE PURPOSES ONLY AND ON THE EXPRESS CONDITION THAT IT WILL BE HELD IN CONFIDENCE. THIS DRAWING SHALL NOT BE DISCLOSED TO OTHERS OR USED FOR THE PURPOSE OF MANUFACTURE BY OR PROCUREMENT FROM OTHERS OF THE ARTICLE OR PART SHOWN WITHOUT TI AUTOMOTIVE'S EXPRESS WRITTEN CONSENT. NO LICENSE OR OTHER RIGHT IS GIVEN OR IMPLIED BY THE PROVISION OF THIS DRAWING TO RECIPIENT.
 COPYRIGHT, TI AUTOMOTIVE 2018. ALL RIGHTS RESERVED.

METRIC
 ALL DIMENSIONS ARE IN MILLIMETERS

DO NOT SCALE
 DECIMAL TOLERANCES UNLESS OTHERWISE SPECIFIED
 ONE PLACE ±0.25 TWO PLACE ±0.13 ANGLES ±1°

THIRD ANGLE PROJECTION
 DIMENSIONS IN ACCORDANCE WITH ASME Y14.5 - 2009

630 COLUMBIA ST.
 CARO, MI 48723
 +1 989.673.7727

TI Automotive

ENGINEER:	BLM	12JUN2013	MATERIAL/SPECIFICATION:
DESIGNER:	DRG	12JUN2013	
CAD SYSTEM: PRO/E	SCALE: 1:1	SHEET NO. 1 OF 1	
REFERENCE ID/REV.:	HJQG1305	2D PLM REFERENCE/REV.: AR0065931/AB	
REFERENCE ID/REV.:	000130322/AB	3D PLM REFERENCE/REV.: AR0065930/AB	
DRAWING NAME: FUEL PUMP OUTLINE			
SIZE:	A2	DRAWING NUMBER:	F10000305