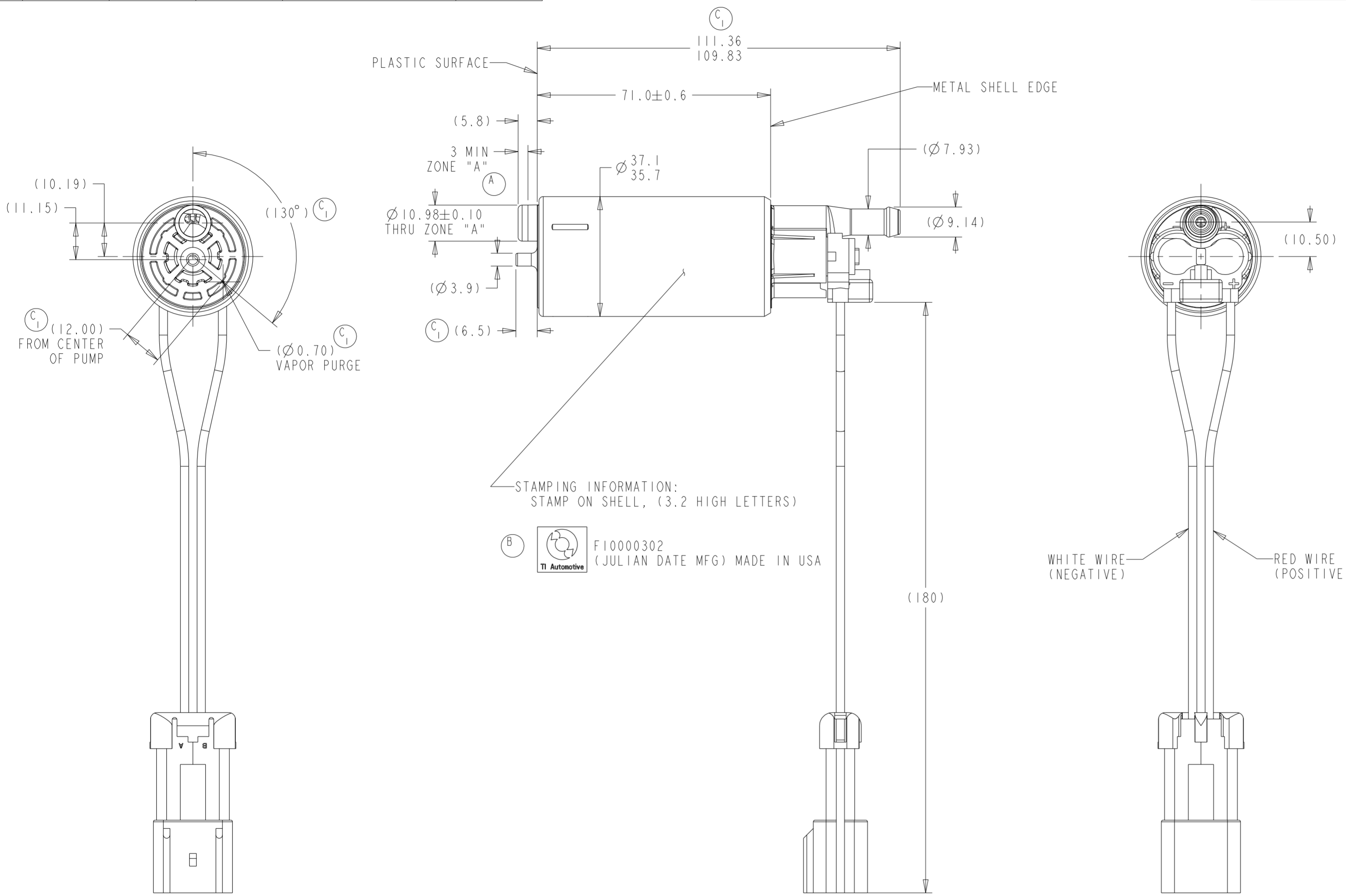


	VOLTS	PRESSURE		FLOW		CURRENT
		kPa	PSI (REF.)	LPH MIN	GAL MIN (REF.)	AMPS MAX
RUNNING	11.5	475	69	120	31.7	12.5
SHUTOFF	13.2	700-975	101-141	0		16.0

REVISIONS						
ZONE	LTR	DESCRIPTION	CHANGE No	DATE	BY	APPR'D
		RELEASE FOR PRODUCTION	C'415	28SEP10	DRG	BLM
6-E	A	USILYS INLET PARTS WERE PMC	C'528	17MAY11	WDE	MMcK
6-C	B	UPDATED TO TI AUTOMOTIVE LOGO	78165	04MAY16	JAK	MAS
---	C	CI RE-RELEASED PUMP AS A TI.9, WAS TI.78	82736	10DEC21	SLK	TLH



- NOTES:
- 1) PUMP WILL BE PACKAGED TO PREVENT CONTAMINATION BY FOREIGN MATERIAL
 - 2) MODEL TI.9, CARTRIDGE BRUSH PUMP, DIN 1 RF1

METRIC
ALL DIMENSIONS ARE IN MILLIMETERS

DO NOT SCALE
DECIMAL TOLERANCES UNLESS OTHERWISE SPECIFIED
ONE PLACE ±0.25 TWO PLACE ±0.13 ANGLES ±1°

THIRD ANGLE PROJECTION
DIMENSIONS IN ACCORDANCE WITH ASME Y14.5 - 2009

630 COLUMBIA ST.
CARO, MI 48723
+1 989.673.7727

TI Automotive

ENGINEER:	B.MIDDLETON	28SEP2010	MATERIAL/SPECIFICATION:
DESIGNER:	D.GILBERT	28SEP2010	
CAD SYSTEM: PRO/E	SCALE: 1:1	SHEET NO. OF	
REFERENCE ID/REV.:	HJOG1302AAF	2D PLM REFERENCE/REV.: AR0062324/AA	
REFERENCE ID/REV.:	000130317/AA	3D PLM REFERENCE/REV.: AR0062323/AA	
DRAWING NAME: FUEL PUMP OUTLINE			
SIZE:	A2	DRAWING NUMBER:	F10000302

KEY PRODUCT CHARACTERISTICS			
REFER TO TI AUTOMOTIVE GLOBAL ADVANCED QUALITY PLANNING DOCUMENT CW-4-ALL-411 FOR THE CLASSIFICATION AND CONTROL OF KEY PRODUCT CHARACTERISTICS			
TYPE OF CHARACTERISTIC	SAFETY	REGULATORY	FUNCTION / FUNCTION PROCESS
NUMBER PER EACH CHARACTERISTIC	1	1	1
TOTAL NUMBER OF CHARACTERISTICS	1	1	1

TI AUTOMOTIVE CONFIDENTIAL AND PROPRIETARY - THIS DRAWING IS PROPERTY OF TI AUTOMOTIVE. TI AUTOMOTIVE CLAIMS PROPRIETARY RIGHTS IN THE SUBJECT MATTER SHOWN AND DESCRIBED ON THIS DRAWING AND RETAINS ALL INTELLECTUAL PROPERTY RIGHTS. THE DRAWING IS PROVIDED FOR REFERENCE PURPOSES ONLY AND ON THE EXPRESS CONDITION THAT IT WILL BE HELD IN CONFIDENCE. THIS DRAWING SHALL NOT BE DISCLOSED TO OTHERS OR USED FOR THE PURPOSE OF MANUFACTURE BY OR PROCUREMENT FROM OTHERS OF THE ARTICLE OR PART SHOWN WITHOUT TI AUTOMOTIVE'S EXPRESS WRITTEN CONSENT. NO LICENSE OR OTHER RIGHT IS GIVEN OR IMPLIED BY THE PROVISION OF THIS DRAWING TO RECIPIENT.
COPYRIGHT, TI AUTOMOTIVE 2018, ALL RIGHTS RESERVED.