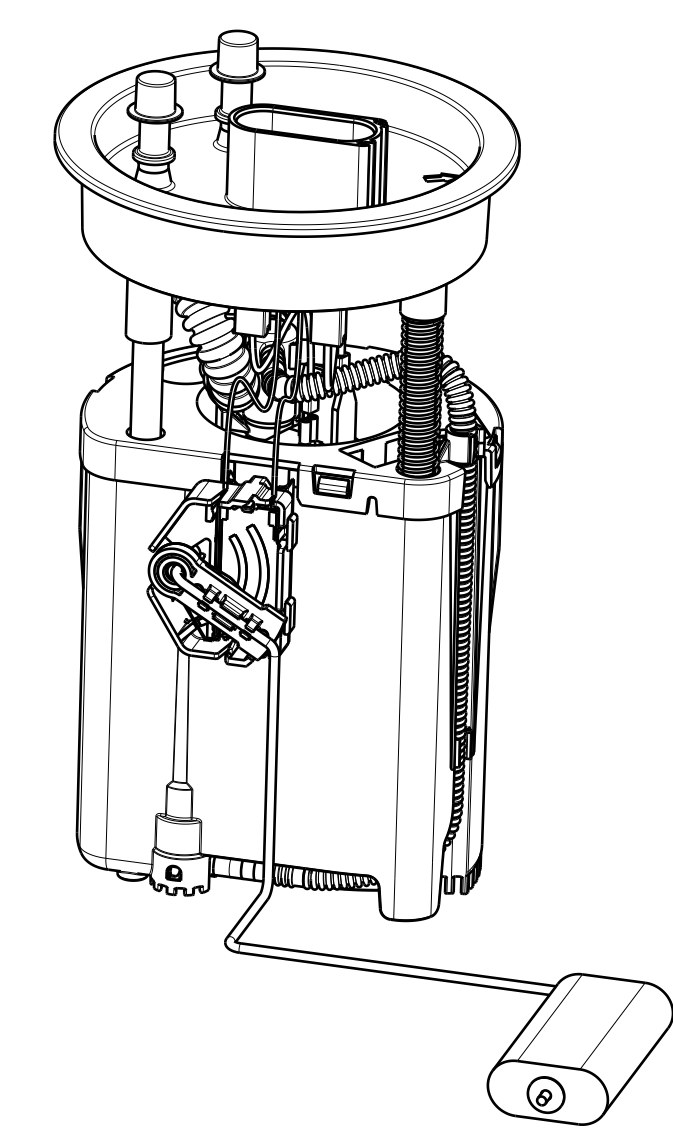
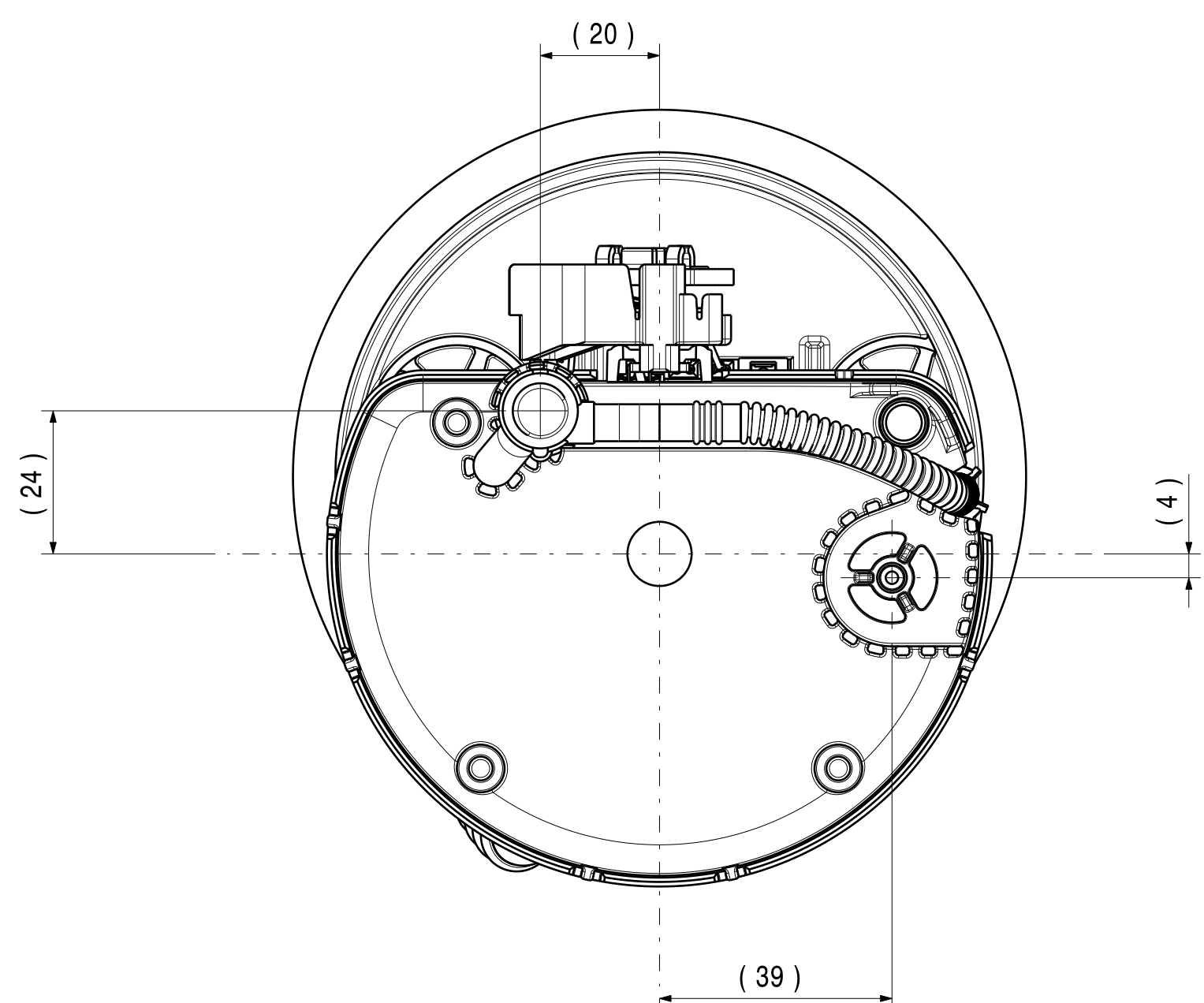


REVISIONS						
ZONE	LTR	DESCRIPTION	CHANGE NO.	DATE	CHANGED BY	APPROVED BY
-	AA	CREATION AND EMISSION	C100003699-001	12/01/15	M.KOZOK	
-	AB	CHANGE OF SUPPLIER ON TUBES Ø8	C100005621-002	02/08/17	ROSSI	

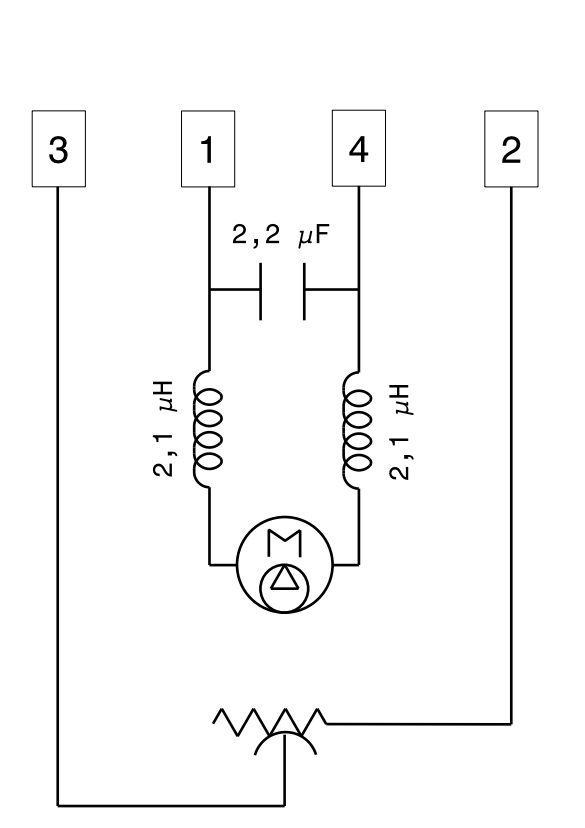


ISOMETRIC VIEW
ECHELLE 1:2
SCALE 1:2

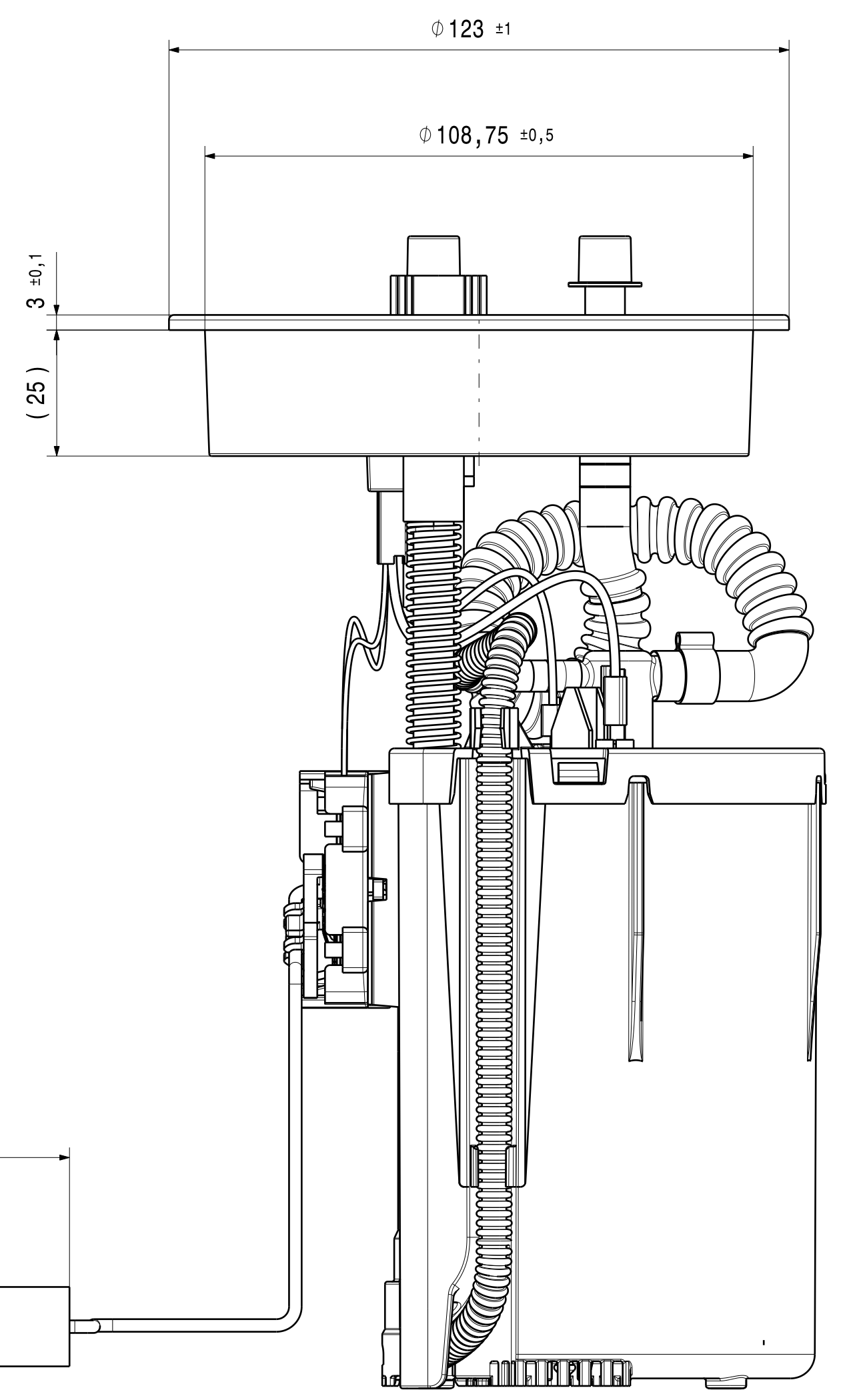
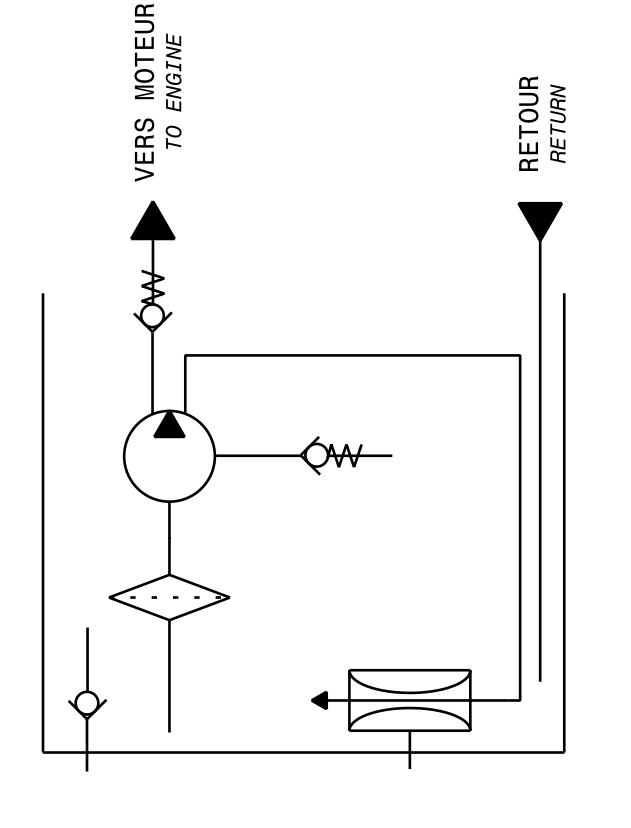
VUE SANS BRAS DE FLOTTEUR EQUIPE
VIEW WITHOUT EQUIPPED FLOAT ARM



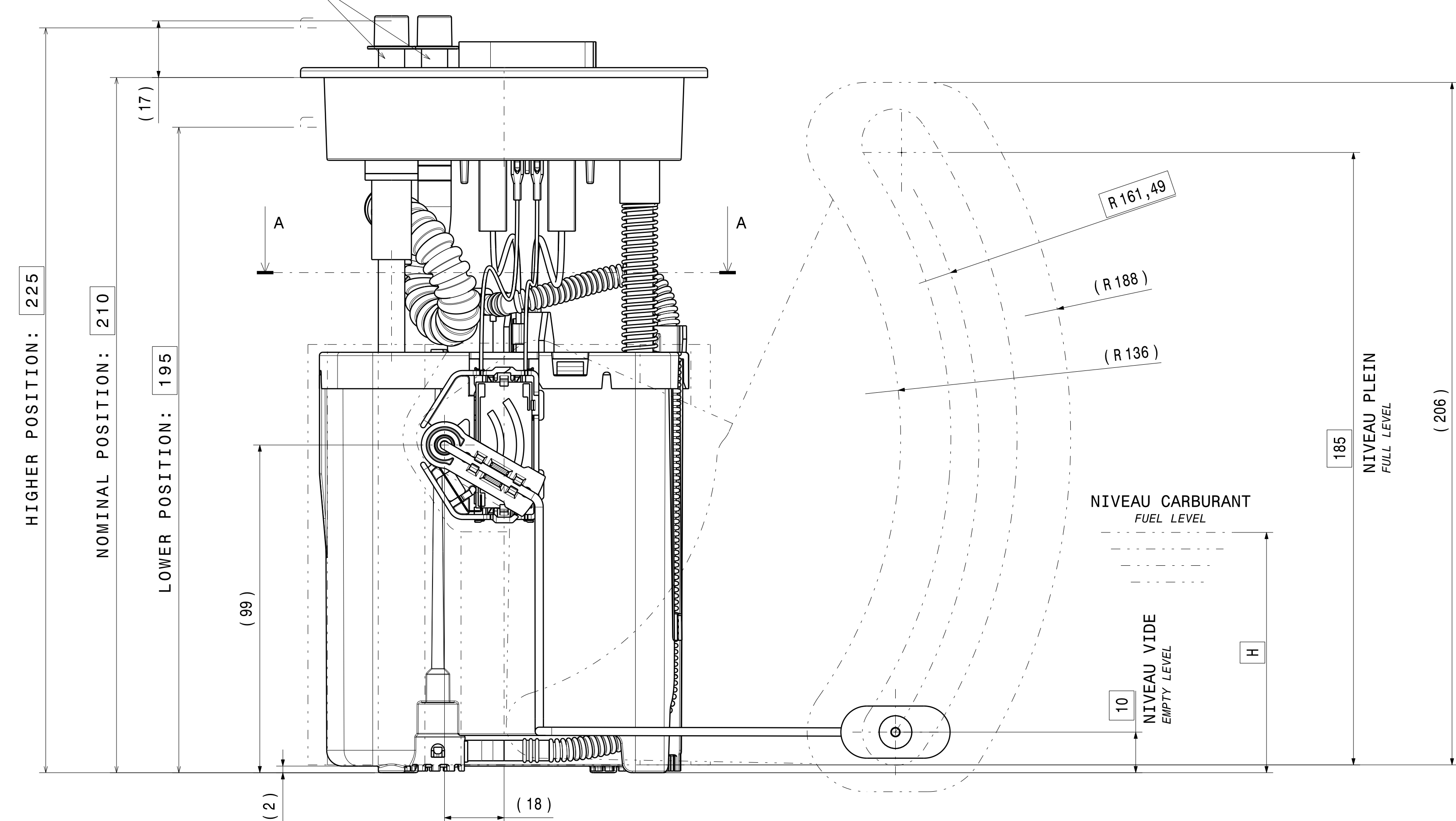
SCHEMA ELECTRIQUE
CIRCUIT DIAGRAM



SCHEMA HYDRAULIQUE
HYDRAULIC DIAGRAM



PIPETTE Ø 8 SELON NORME SAE J2044
Ø 8 NIPPLE ACCORDING TO SAE J2044 STANDARD



JAUGEAGE LEVEL SENSOR VALUES	
HAUTEUR EN MM HEIGHT (MM)	VALEUR EN Ω RESISTANCE (Ω)
10	50 ± 4
185	290 ± 12

CONTRÔLE DES VALEURS ENSEMBLE
COMPRIME A LA COTE U NOMINALE
SELON NORME MARVAL NW 11 06 072
MEASUREMENT DONE WITH MODULE COMPRESSED TO
U DIMENSION ACCORDING TO NW 11 06 072
STANDARD

SPECIFICATIONS:

- ETANCHEITE AIR SOUS EAU DE L'EMBASE + TENUE A LA PRESSION :
AUCUNE APPARITION DE BULLE A L'EXTERIEUR PENDANT 1 MIN A 0,3 BARS
SUIVANT NW 11-060-01 PARAGRAPHE 5.5.5

- MARQUAGES SUR ETIQUETTE ADHESIVE :
TI LOGO & TI P/N
QUANTIEME DE FABRICATION

- MARQUAGE A CHAUD SUR EMBASE :
YY WW II
année semaine indice

- MASSE DE L'ENSEMBLE : ENVIRON 700 g

SPECIFICATIONS

- UNDERWATER AIRTIGHTNESS AND PRESSURE RESISTANCE OF THE FLANGE :
NO AIR BUBBLE OUTSIDE THE FLANGE FOR 1 MIN UNDER 0.3 BARS
ACCORDING TO NW 11-060-01 § 5.5.5 STANDARD

- STICKER MARKINGS :
TI LOGO & TI P/N
MANUFACTURING DATE

- HOT STAMP ON THE THE FLANGE :
YY WW II
year week index

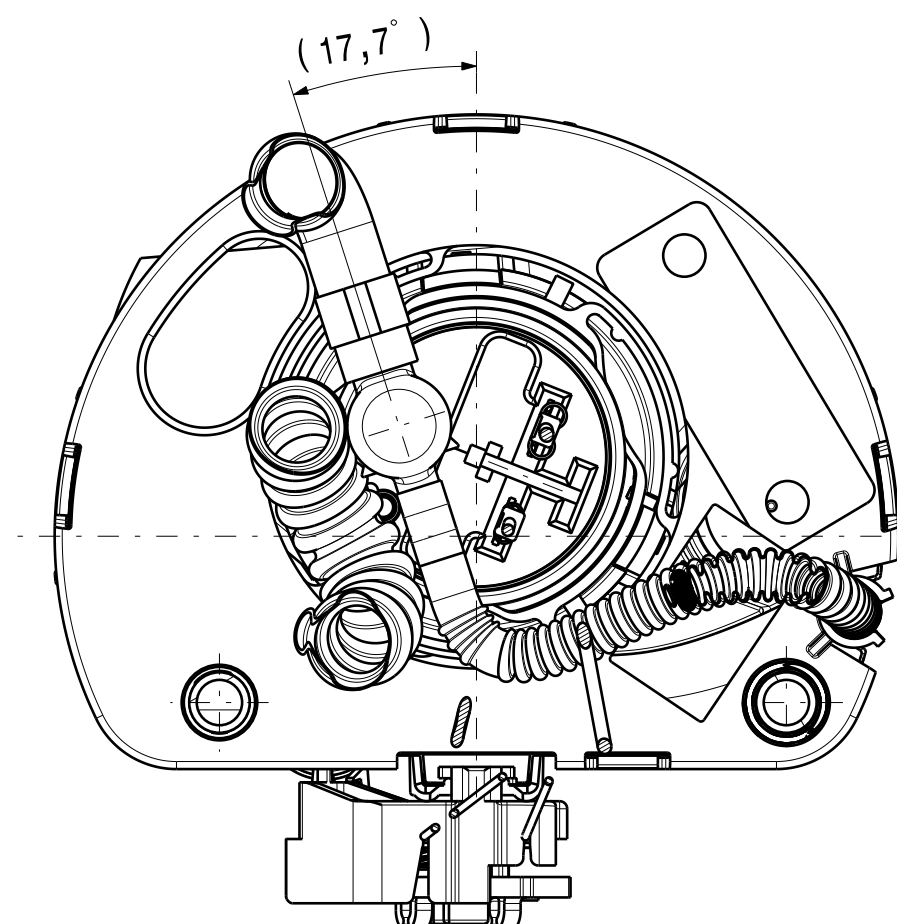
- MODULE WEIGHT : ABOUT 700 g

VOIR DETAIL C
SEE DETAIL C

ZONE POUR ETIQUETTE ADHESIVE : VOIR SPECIFICATIONS
STICKER RESERVED AREA : SEE SPECIFICATIONS

COUPE A-A
SECTION A-A

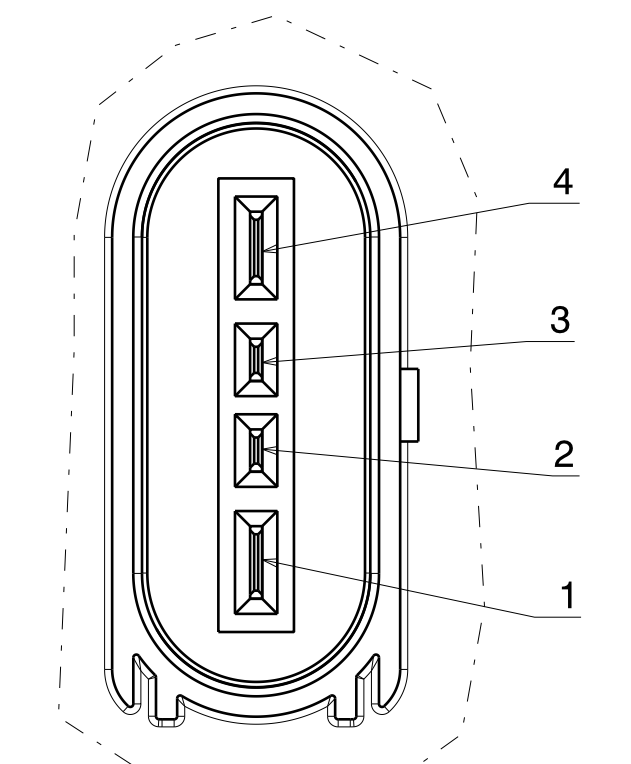
VUE SANS BRAS DE FLOTTEUR EQUIPE
VIEW WITHOUT EQUIPPED FLOAT ARM



DETAIL C
CONNECTEUR ELECTRIQUE
4 VOIES
ECHELLE 2:1

ELECTRICAL CONNECTOR
4 WAYS
SCALE 2:1

AFFECTATION DES VOIES CONTACT LAYOUT	
N° DE VOIE CONTACT NUMBER	FONCTION FUNCTION
1	POMPE + PUMP +
2	JAUGE + LEVEL SENDER +
3	JAUGE - LEVEL SENDER -
4	POMPE - PUMP -



AR1073899/AB		100117373/AB	
TI ALTRIP 3D ID/REVISION		TI PRODUCT ID/REVISION	
PARTS REFERENCE TABLE			
DO NOT SCALE TOLERANCES UNLESS OTHERWISE SPECIFIED ACCORDING TO NF T 58-000 NORMAL CLASS			
TI Automotive		TI Automotive Fuel Systems 1, avenue Raphaël, Chalons en Champagne, 51009 FRANCE	
AP-ENGINEER P. ORSINI	DATE:	MATERIAL / SPECIFICATION	
DES. MANAGER P. ORSINI	DATE:	FIRST ANGLE PROJECTION	
DESIGNER M. KOZOK	DATE: 12/01/2015	SIZE: A0	
CAD SYSTEM: CATIA V5 R19	SCALE: 1:1	SHEET NO. 1/1	
DRAWING NAME: Module - Main			
TI ALTRIP DRAWING ID/REVISION: AR1073898/AB		BEETLE, JETTA, SP	