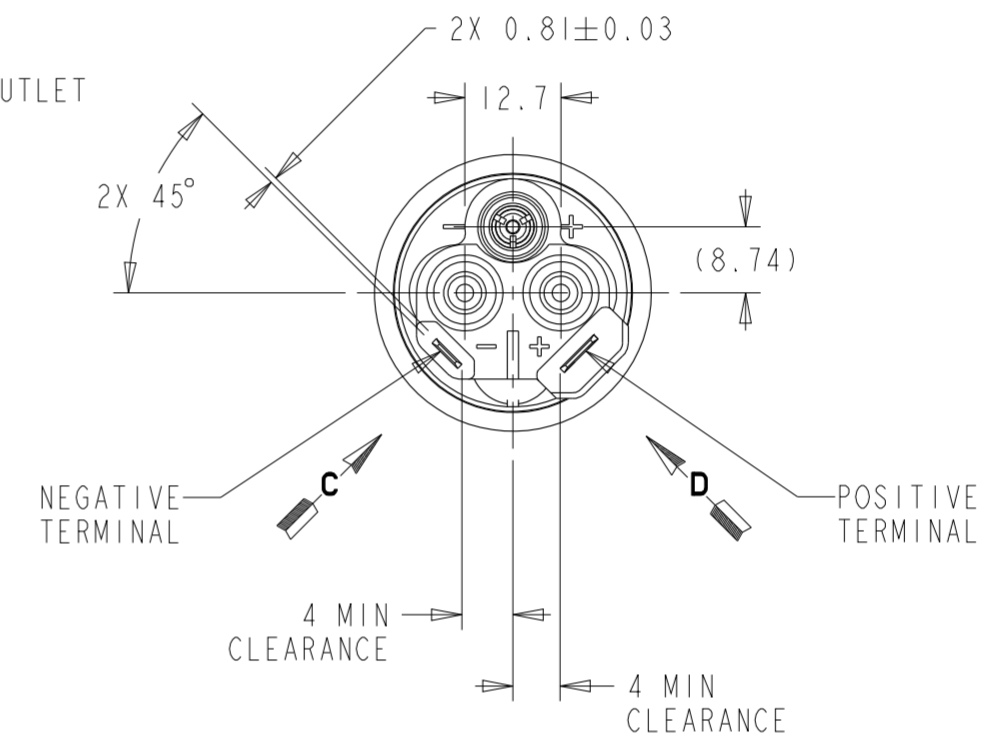
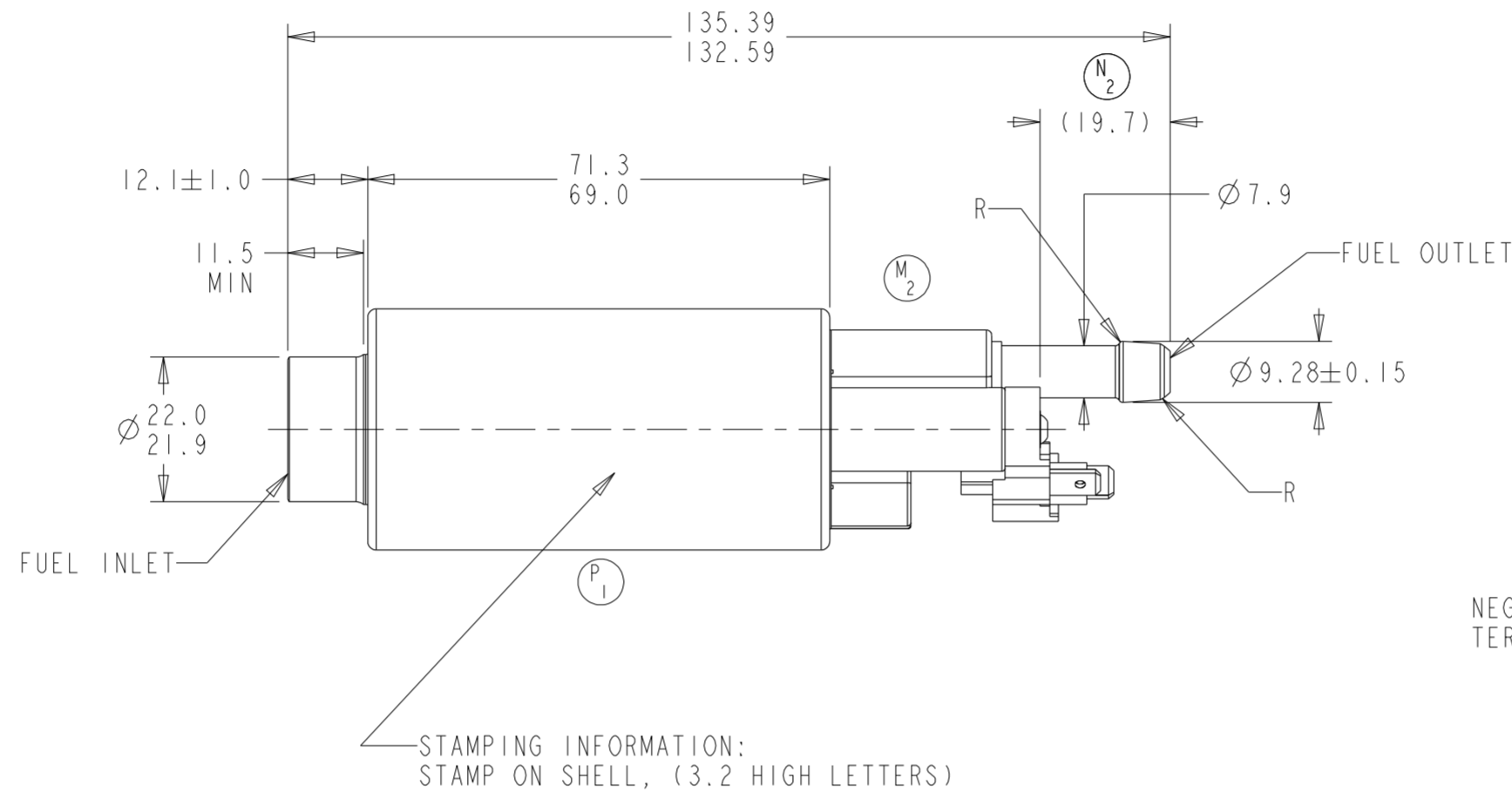
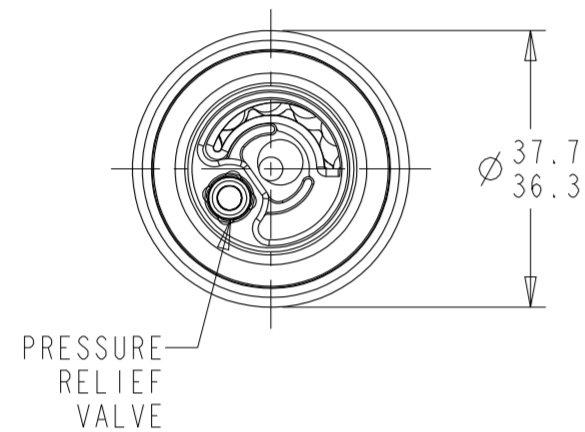
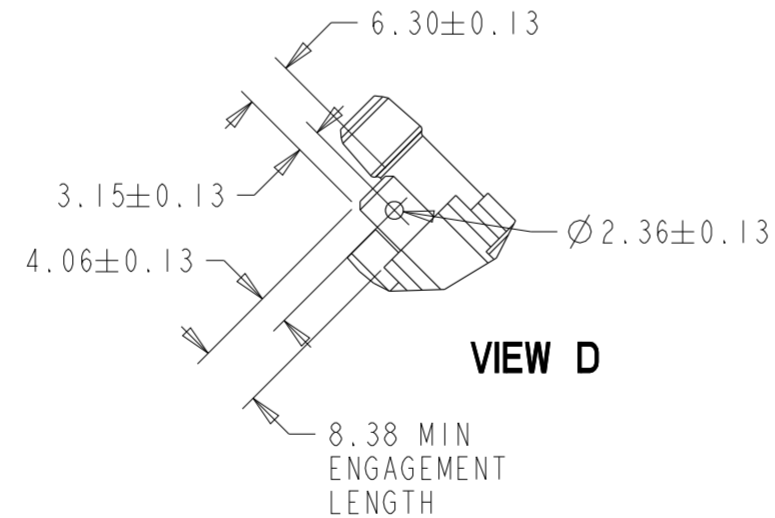
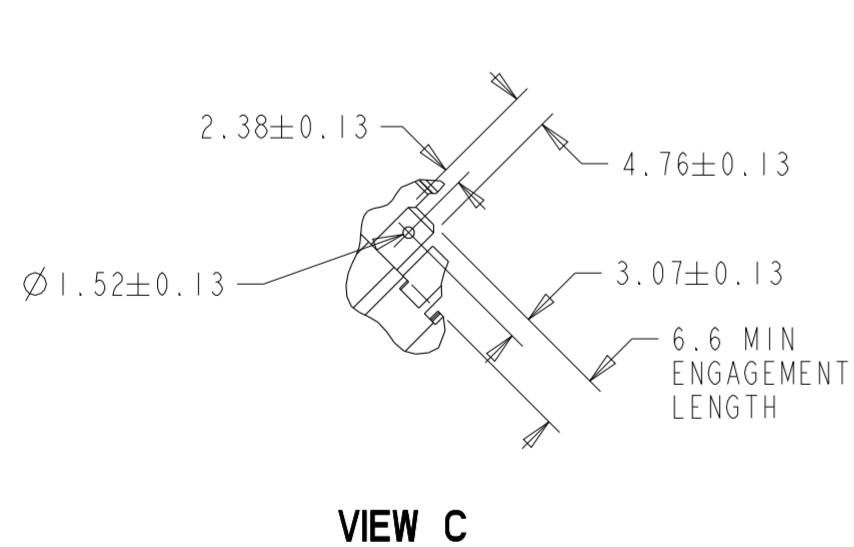


REVISIONS						
ZONE	LTR	DESCRIPTION	CHANGE No	DATE	BY	APPR'D
---	5-E	M1 REVISED & REDRAWN M2 000104382 OUTLET COVER WAS 0213613	C'2403 76350	25NOV15	WDE	MMcK
6-C 4-E	N	N1 UPDATED STAMPING INFO N4 (19.7) WAS (19.8)	C'5018	08JAN18	SLK	BLM
LETTER "O" NOT USED						
5-D	P	P1 DBTC000302 MAGNETS WERE 184-27	83671	01AUG23	JTK	MLM




 516
 (JULIAN DATE MFG.) MADE IN USA


N1

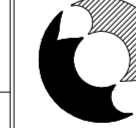


NOTE:
 PUMP TO HAVE PLUG PROTECTORS
 FOR BOTH INLET AND OUTLET,
 AND BE IN A POLY-BAG

KEY PRODUCT CHARACTERISTICS				
REFER TO TI AUTOMOTIVE GLOBAL ADVANCED QUALITY PLANNING DOCUMENT CW-4-ALL-411 FOR THE CLASSIFICATION AND CONTROL OF KEY PRODUCT CHARACTERISTICS				
TYPE OF CHARACTERISTIC	SAFETY	REGULATORY	FUNCTION	FUNCTION PROCESS
NUMBER PER EACH CHARACTERISTIC	0	0	0	0
TOTAL NUMBER OF CHARACTERISTICS	0	0	0	0
<small> - TI AUTOMOTIVE CONFIDENTIAL AND PROPRIETARY - THIS DRAWING IS PROPERTY OF TI AUTOMOTIVE. TI AUTOMOTIVE CLAIMS PROPRIETARY RIGHTS IN THE SUBJECT MATTER SHOWN AND DESCRIBED ON THIS DRAWING AND RETAINS ALL INTELLECTUAL PROPERTY RIGHTS. THE DRAWING IS PROVIDED FOR REFERENCE PURPOSES ONLY AND ON THE EXPRESS CONDITION THAT IT WILL BE HELD IN CONFIDENCE. THIS DRAWING SHALL NOT BE DISCLOSED TO OTHERS OR USED FOR THE PURPOSE OF MANUFACTURE BY OR PROCUREMENT FROM OTHERS OF THE ARTICLE OR PART SHOWN WITHOUT TI AUTOMOTIVE'S EXPRESS WRITTEN CONSENT. NO LICENSE OR OTHER RIGHT IS GIVEN OR IMPLIED BY THE PROVISION OF THIS DRAWING TO RECIPIENT. COPYRIGHT, TI AUTOMOTIVE 2018. ALL RIGHTS RESERVED. </small>				

METRIC
 ALL DIMENSIONS ARE IN MILLIMETERS
DO NOT SCALE
 DECIMAL TOLERANCES UNLESS OTHERWISE SPECIFIED
 ONE PLACE ±0.25 TWO PLACE ±0.13 ANGLES ±1°


 THIRD ANGLE PROJECTION
 DIMENSIONS IN ACCORDANCE WITH ASME Y14.5 - 2009


TI Automotive
 630 COLUMBIA ST.
 CARO, MI 48723
 +1 989.673.7727

ENGINEER:	RDA	17APR1991	MATERIAL/SPECIFICATION:	SEE NOTES
DESIGNER:	SJR	12APR1991		
CAD SYSTEM:	PRO/E	SCALE: 1:1	SHEET NO. OF	
REFERENCE ID/REV.:	HJPX0516		2D PLM REFERENCE/REV.: AR0036930/AC	
REFERENCE ID/REV.:	000007407/AG		3D PLM REFERENCE/REV.: AR0036929/AC	
DRAWING NAME: FUEL PUMP OUTLINE				
SIZE:	DRAWING NUMBER: 516			